

PARTS LIST

CAUTION

- The parts identified by the \triangle symbol are important for the safety . Whenever replacing these parts, be sure to use specified ones to secure the safety .
- The parts not indicated in this Parts List and those which are filled with lines --- in the Parts No. columns will not be supplied .
- P. W. Board Ass'y will not be supplied, but those which are filled with the Parts No. in the Parts No. columns will be supplied .

ABBREVIATIONS OF RESISTORS, CAPACITORS AND TOLERANCES

| RESISTORS | | CAPACITORS | |
|-----------|--|-----------------|---|
| C R | Carbon Resistor | C CAP. | Ceramic Capacitor |
| F R | Fusible Resistor | E CAP. | Electrolytic Capacitor |
| P R | Plate Resistor | M CAP. | Mylar Capacitor |
| V R | Variable Resistor | HV CAP. | High Voltage Capacitor |
| HV R | High Voltage Resistor | MF CAP. | Metalized Film Capacitor |
| MF R | Metal Film Resistor | MM CAP. | Metalized Mylar Capacitor |
| MG R | Metal Glazed Resistor | MP CAP. | Metalized Polystyrol Capacitor |
| MP R | Metal Plate Resistor | PP CAP. | Polypropylene Capacitor |
| OM R | Metal Oxide Film Resistor | PS CAP. | Polystyrol Capacitor |
| CMF R | Coating Metal Film Resistor | TF CAP. | Thin Film Capacitor |
| UNF R | Non-Flammable Resistor | MPP CAP. | Metalized Polypropylene Capacitor |
| CH V R | Chip Variable Resistor | TAN. CAP. | Tantalum Capacitor |
| CH MG R | Chip Metal Glazed Resistor | CH C CAP. | Chip Ceramic Capacitor |
| COMP. R | Composition Resistor | BP E CAP. | Bi-Polar Electrolytic Capacitor |
| LPTC R | Linear Positive Temperature Coefficient Resistor | CH AL E CAP. | Chip Aluminum Electrolytic Capacitor |
| | | CH AL BP CAP. | Chip Aluminum Bi-Polar Capacitor |
| | | CH TAN. E CAP. | Chip Tantalum Electrolytic Capacitor |
| | | CH AL BP E CAP. | Chip Tantalum Bi-Polar Electrolytic Capacitor |

| RESISTORS | | | | | | | | | |
|-----------|-----|-----|------|------|------|--------------|--------------|--------------|-------------|
| F | G | J | K | M | N | R | H | Z | P |
| ±1% | ±2% | ±5% | ±10% | ±20% | ±30% | +30% -10% | +50% -10% | +80% -20% | +100% 0% |

CONTENTS

| | |
|--|----|
| USING P.W. BOARD & REMOTE CONTROL UNIT | 51 |
| EXPLODED VIEW PARTS LIST-I [AV-21L81B-BK, AV-25L81B-BK] | 51 |
| EXPLODED VIEW-I [AV-21L81B-BK, AV-25L81B-BK] | 51 |
| EXPLODED VIEW PARTS LIST-II [AV-21L81B-BK, AV-25L81B-BK] | 52 |
| EXPLODED VIEW-II [AV-21L81B-BK, AV-25L81B-BK] | 53 |
| EXPLODED VIEW PARTS LIST-III [AV-21L81B-BK, AV-25L81B-BK] | 54 |
| EXPLODED VIEW-III [AV-21L81B-BK, AV-25L81B-BK] | 55 |
| EXPLODED VIEW PARTS LIST-IV [AV-29L81B-BK] | 56 |
| EXPLODED VIEW-IV [AV-29L81B-BK] | 56 |
| EXPLODED VIEW PARTS LIST-V [AV-29L81B-BK] | 57 |
| EXPLODED VIEW-V [AV-29L81B-BK] | 57 |
| EXPLODED VIEW PARTS LIST-VI [AV-29L81B-BK] | 58 |
| EXPLODED VIEW-VI [AV-29L81B-BK] | 59 |
| | |
| PRINED WIRING BOARD PARTS LIST [AV-21L81B-BK] | |
| MAIN PW BOARD ASS'Y | 60 |
| | |
| PRINED WIRING BOARD PARTS LIST [AV-25L81B-BK] | |
| MAIN PW BOARD ASS'Y | 65 |
| | |
| PRINED WIRING BOARD PARTS LIST [AV-29L81B-BK] | |
| MAIN PW BOARD ASS'Y | 70 |
| CRT SOCKET PW BOARD ASS'Y | 74 |
| FRONT CONTROL PW BOARD ASS'Y | 75 |
| | |
| REMOTE CONTROL UNIT PARTS LIST (RM-C358-1C) | 76 |
| | |
| PACKING/PACKING PARTS LIST [AV-21L81B-BK, AV-25L81B-BK] | 77 |
| PACKING/PACKING PARTS LIST [AV-29L81B-BK] | 78 |

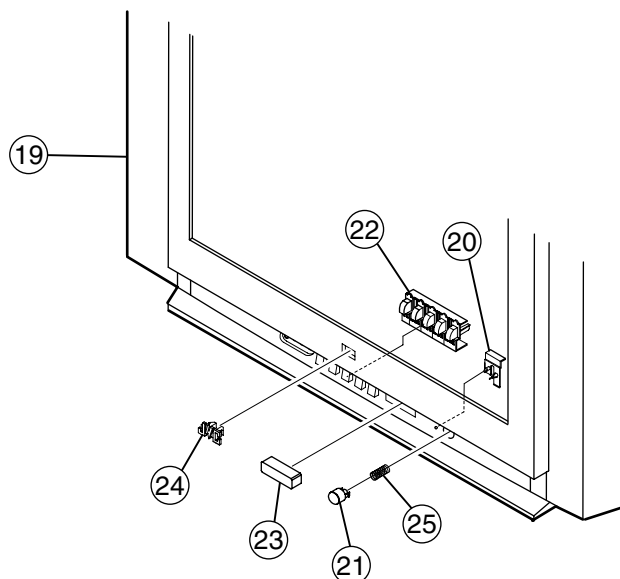
USING P.W. BOARD & REMOTE CONTROL UNIT

| P.W.B ASS'Y | Model | AV-21L81B-BK | AV-25L81B-BK | AV-29L81B-BK |
|---------------------|-------|--------------|--------------|--------------|
| MAIN PWB | | SCH-1040A-BK | SCH-1043A-BK | SCH-1045A-BK |
| CRT SOCKET PWB | | — | — | SCH-3001A-BK |
| FRONT CONTROL PWB | | — | — | SCH-8001A-BK |
| REMOTE CONTROL UNIT | | RM-C358-1C | ← | ← |

EXPLODED VIEW PARTS LIST-I [AV-21L81B-BK, AV-25L81B-BK]

| △ Ref.No. | Part No. | Part Name | Description | Local |
|-----------|----------------|--------------|----------------|-------|
| 19 | GG10129-014A-H | FRONT CABI | [AV-21L81B-BK] | |
| 19 | GG10133-010A-H | FRONT CABI | [AV-25L81B-BK] | |
| 20 | GG30021-001A-H | LED LENS | | |
| 21 | GG30019-001B-H | POWER KNOB | | |
| 22 | GG20006-001A-H | CONTROL KNOB | | |
| 23 | GG30020-001A-H | E.E.WINDOW | | |
| 24 | CM48125-009 | JVC MARK | | |
| 25 | CM35235-003-H | SPRING | | |

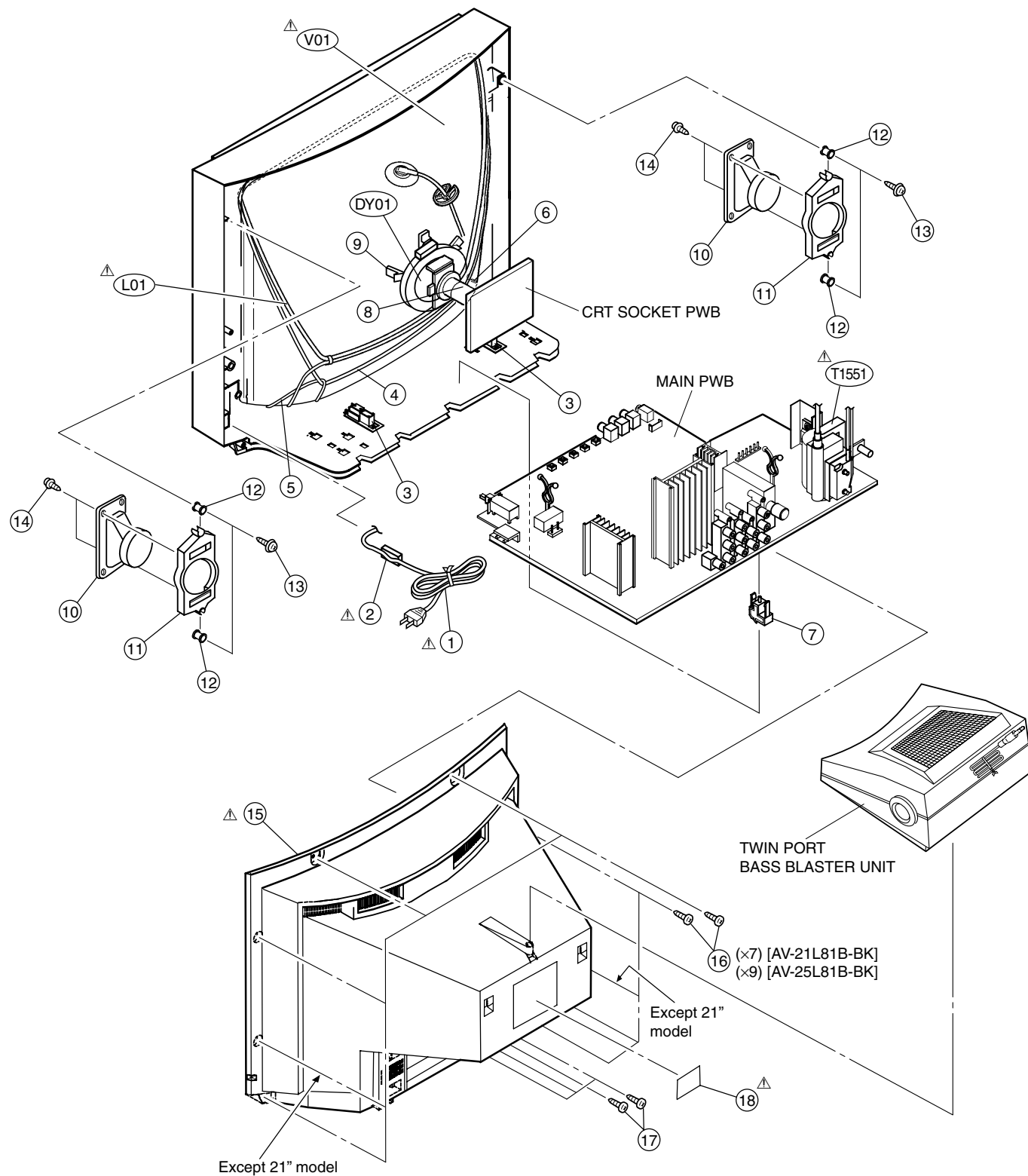
EXPLODED VIEW-I [AV-21L81B-BK, AV-25L81B-BK]



EXPLODED VIEW PARTS LIST-II [AV-21L81B-BK, AV-25L81B-BK]

| △ Ref.No. | Part No. | Part Name | Description | Local |
|-----------|----------------|--------------------|---------------------|-------|
| △ V01 | A51QDX992X | PICTURE TUBE | [AV-21L81B-BK] | |
| △ V01 | A59QDF891X | PICTURE TUBE | [AV-25L81B-BK] | |
| △ L01 | QQW0118-001 | DEG COIL | [AV-21L81B-BK] | |
| △ L01 | QQW0119-001 | DEG COIL | [AV-25L81B-BK] | |
| △ DY01 | QQD0060-002 | DEFLECTION YOKE | [AV-21L81B-BK] | |
| △ DY01 | QQD0062-001 | DEFLECTION YOKE | [AV-25L81B-BK] | |
| △ T1551 | QQH0104-001 | FBT | [AV-21L81B-BK] | |
| △ T1551 | QQH0097-001 | FBT | [AV-25L81B-BK] | |
| △ 1 | QMPR010-200-E2 | POWER CORD | | |
| △ 2 | CM47005-A01-H | CORD CLAMP | | |
| 3 | CM36623-B01-H | CHASSIS RAIL | (X2) | |
| 4 | CHGB0028-0A | BRAIDED ASSY | [AV-21L81B-BK] | |
| 4 | WJY0018-001A | BRAIDED ASSY | [AV-25L81B-BK] | |
| 5 | CHGB0017-0C | BRAIDED ASSY (SUB) | | |
| 6 | A48457-3-H | SPRING | | |
| 7 | CM48144-002-H | PB STOPPER | | |
| 8 | A75034-B | PC MAGNET | | |
| 9 | CE40764-00A | WEDGE ASSY | (X3) [AV-21L81B-BK] | |
| 9 | CE40764-00A | WEDGE ASSY | (X4) [AV-25L81B-BK] | |
| 10 | QAS0083-001 | SPEAKER | (X2) SP01, SP02 | |
| 11 | LC20371-001D-H | SP HOLDER | (X2) | |
| 12 | LC40226-003A-H | SPACER | (X4) | |
| 13 | LC40317-002A-H | TAPPING SCREW | (X4) | |
| 14 | QYSBSB4012Z | TAPPING SCREW | (X4) | |
| △ 15 | GG10130-002A-H | REAR COVER | [AV-21L81B-BK] | |
| △ 15 | GG10134-002A-H | REAR COVER | [AV-25L81B-BK] | |
| 16 | QYSBSFG4016Z | TAPPING SCREW | (X7) [AV-21L81B-BK] | |
| 16 | QYSBSFG4016Z | TAPPING SCREW | (X9) [AV-25L81B-BK] | |
| 17 | QYSBSF3010Z | TAPPING SCREW | (X4) | |
| △ 18 | CM22960-089-H | RATING LABEL | [AV-21L81B-BK] | |
| △ 18 | CM22960-090-H | RATING LABEL | [AV-25L81B-BK] | |

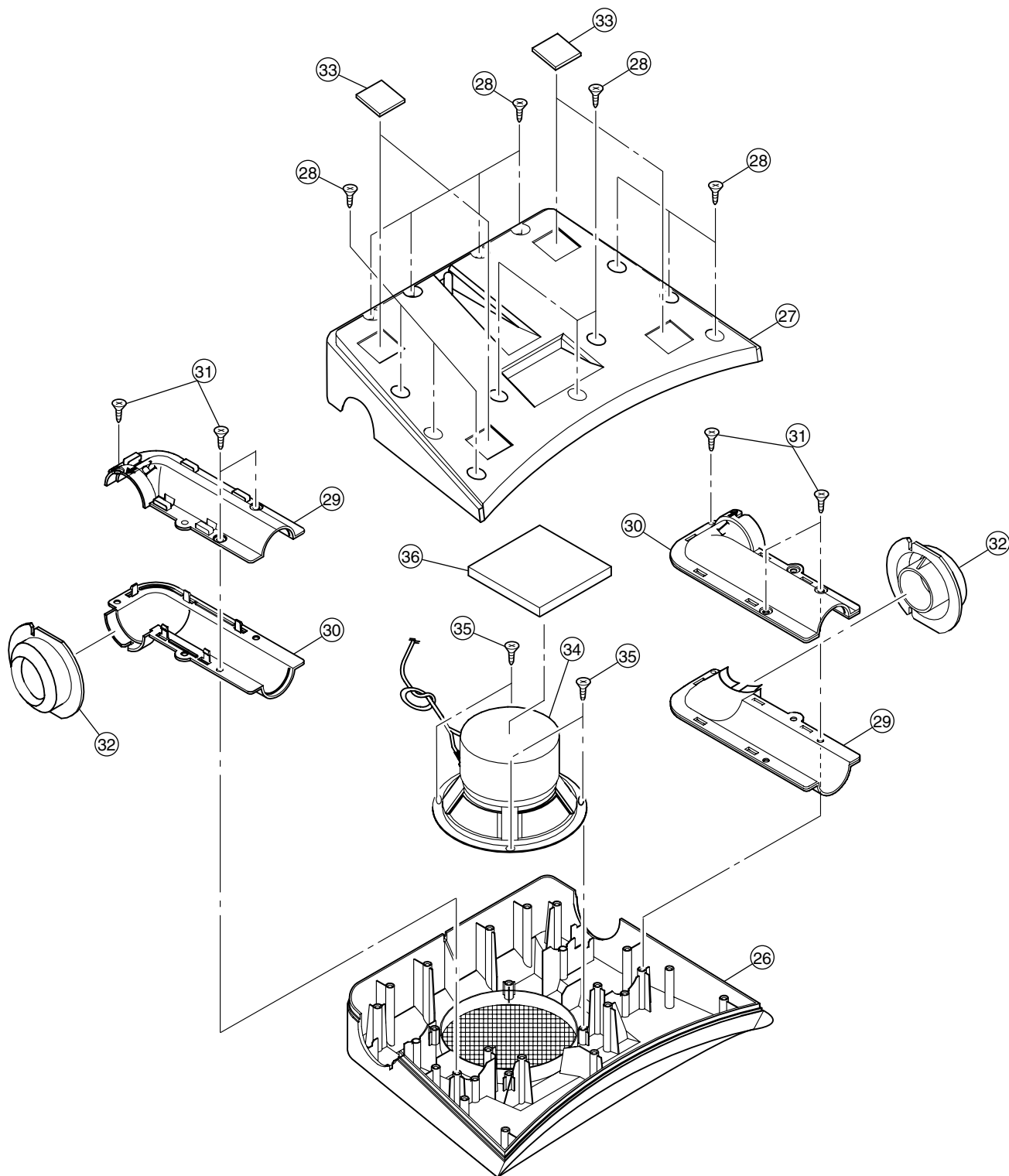
EXPLODED VIEW-II [AV-21L81B-BK, AV-25L81B-BK]



EXPLODED VIEW PARTS LIST-III [AV-21L81B-BK, AV-25L81B-BK]

| △ Ref.No. | Part No. | Part Name | Description | Local |
|-----------|----------------|-------------------|-------------|-------|
| 26 | GG10140-001B-H | BASS TOP COVER | | |
| 27 | GG10141-001B-H | BASS BOTTOM COVER | | |
| 28 | QYSBSFG4016Z | TAPPING SCREW | (X13) | |
| 29 | GG20007-001C-H | BASS INT.DUCT R | (X2) | |
| 30 | GG20007-002C-H | BASS INT.DUCT L | (X2) | |
| 31 | QYSBSFG4016Z | TAPPING SCREW | (X6) | |
| 32 | GG30022-001A-H | BASS DUCT R | (X2) | |
| 33 | LC40352-001A-H | RUBBER SHEET | (X4) | |
| 34 | QAS0092-001 | BASS SPEAKER | | |
| 35 | QYSBSFG4016Z | TAPPING SCREW | (X4) | |
| 36 | LC41211-001A | SOUND ABSORBER | | |

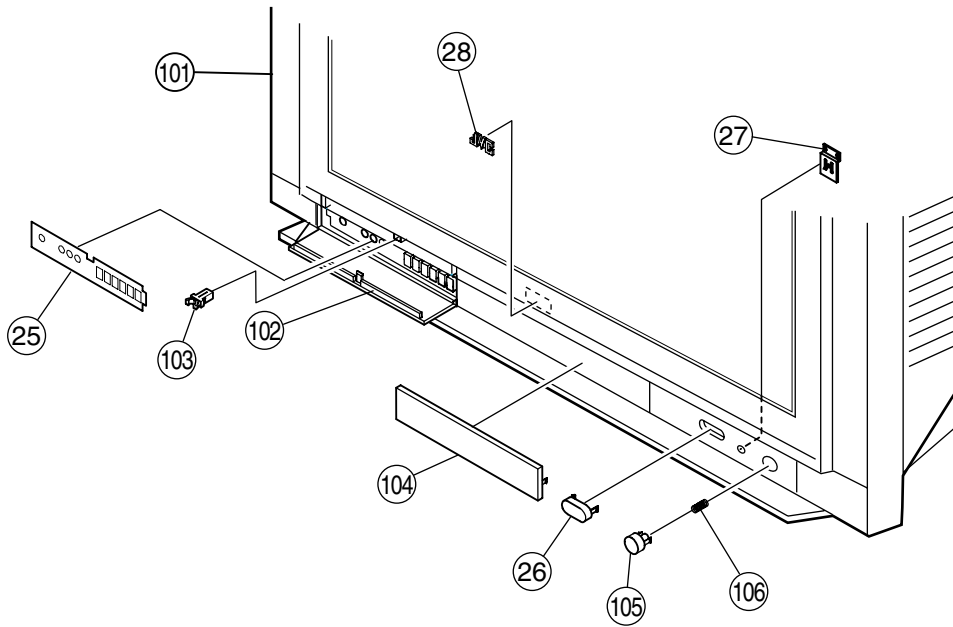
EXPLODED VIEW-III [AV-21L81B-BK, AV-25L81B-BK]



EXPLODED VIEW PARTS LIST-IV [AV-29L81B-BK]

| △ Ref.No. | Part No. | Part Name | Description | Local |
|-----------|----------------|---------------------|------------------|-------|
| 25 | LC20778-001A-H | OPERATION SHEET | | |
| 26 | LC31474-001A-H | CONTROL WINDOW | | |
| 27 | LC31476-001B-H | LED LENS | | |
| 28 | LC41037-001A | JVC MARK | | |
| 101 | LC11193-011A-H | FRONT CABINET ASS'Y | Inc. No. 102-106 | |
| 102 | LC20776-005A-H | DOOR | | |
| 103 | CM48229-00A-C | DOOR LATCH | | |
| 104 | LC20777-001D-H | CENTRE PLATE | | |
| 105 | LC31475-001B-H | POWER KNOB | | |
| 106 | CM35235-003-H | SPRING | | |

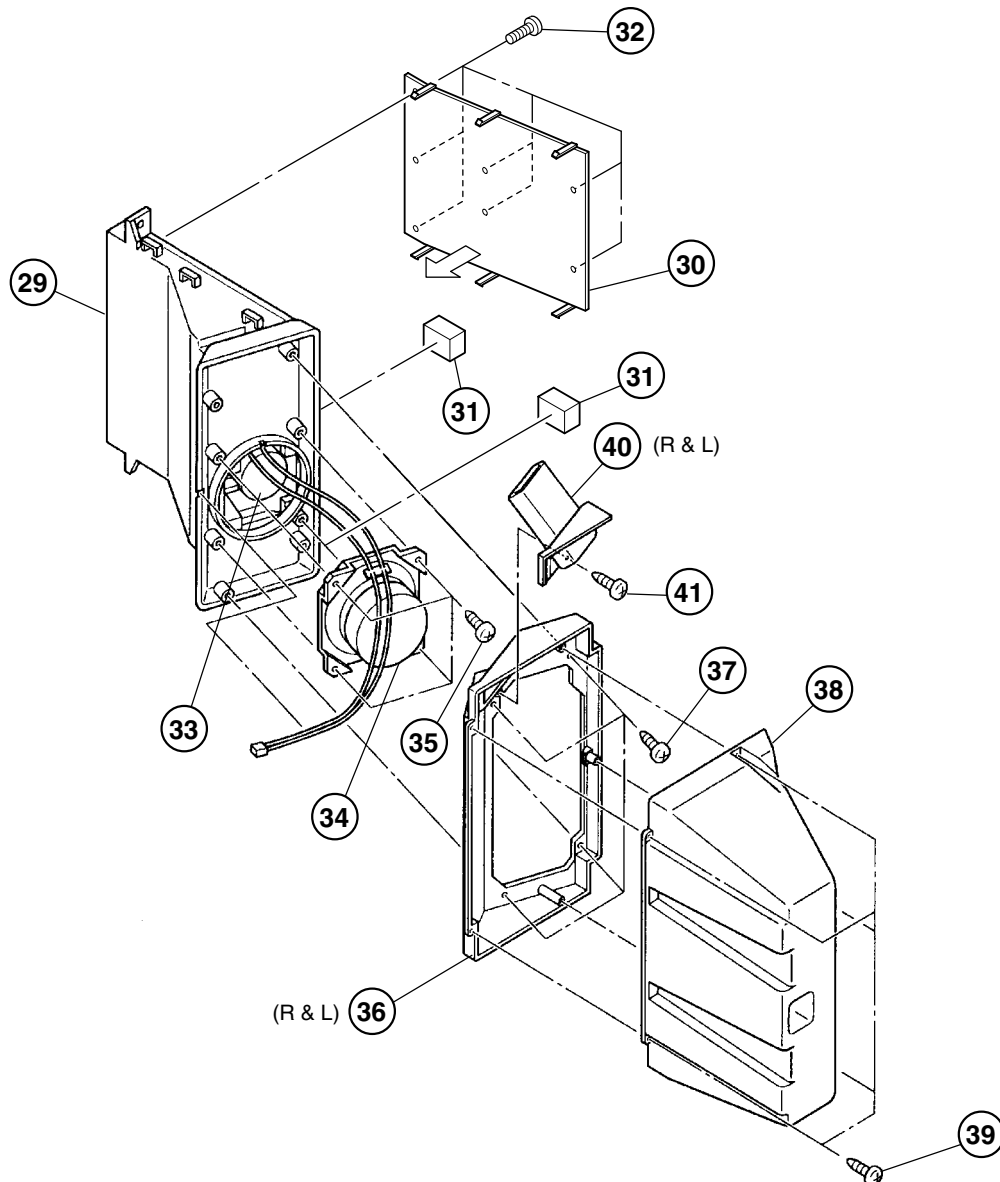
EXPLODED VIEW-IV [AV-29L81B-BK]



EXPLODED VIEW PARTS LIST-V [AV-29L81B-BK]

| △ Ref.No. | Part No. | Part Name | Description | Local |
|-----------|----------------|---------------|-----------------|-------|
| 29 | LC10050-001A-H | HORN | (X2) | |
| 30 | LC10051-001A-H | HORN PANEL | (X2) | |
| 31 | CM47846-005-H | DOME ABSORBER | (X4) | |
| 32 | QYSBSFG4016Z | TAPPING SCREW | (X14) | |
| 33 | CEBSS03K-01KJ2 | SPEAKER | (X2) SP03, SP04 | |
| 34 | CEBSF10P-07KJ6 | SPEAKER | (X2) SP01, SP02 | |
| 35 | QYSBSFG4016Z | TAPPING SCREW | (X8) | |
| 36 | CM12945-B01-H | DOME RING(R) | | |
| 36 | CM12945-B02-H | DOME RING(L) | | |
| 37 | QYSBSFG4016Z | TAPPING SCREW | (X8) | |
| 38 | CM12946-B01-H | DOME BOX | (X2) | |
| 39 | QYSBSFG4016Z | TAPPING SCREW | (X10) | |
| 40 | CM23139-A01-H | REFLECTOR(R) | | |
| 40 | CM23139-B02-H | REFLECTOR(L) | | |
| 41 | QYSBSFG4016Z | TAPPING SCREW | (X2) | |

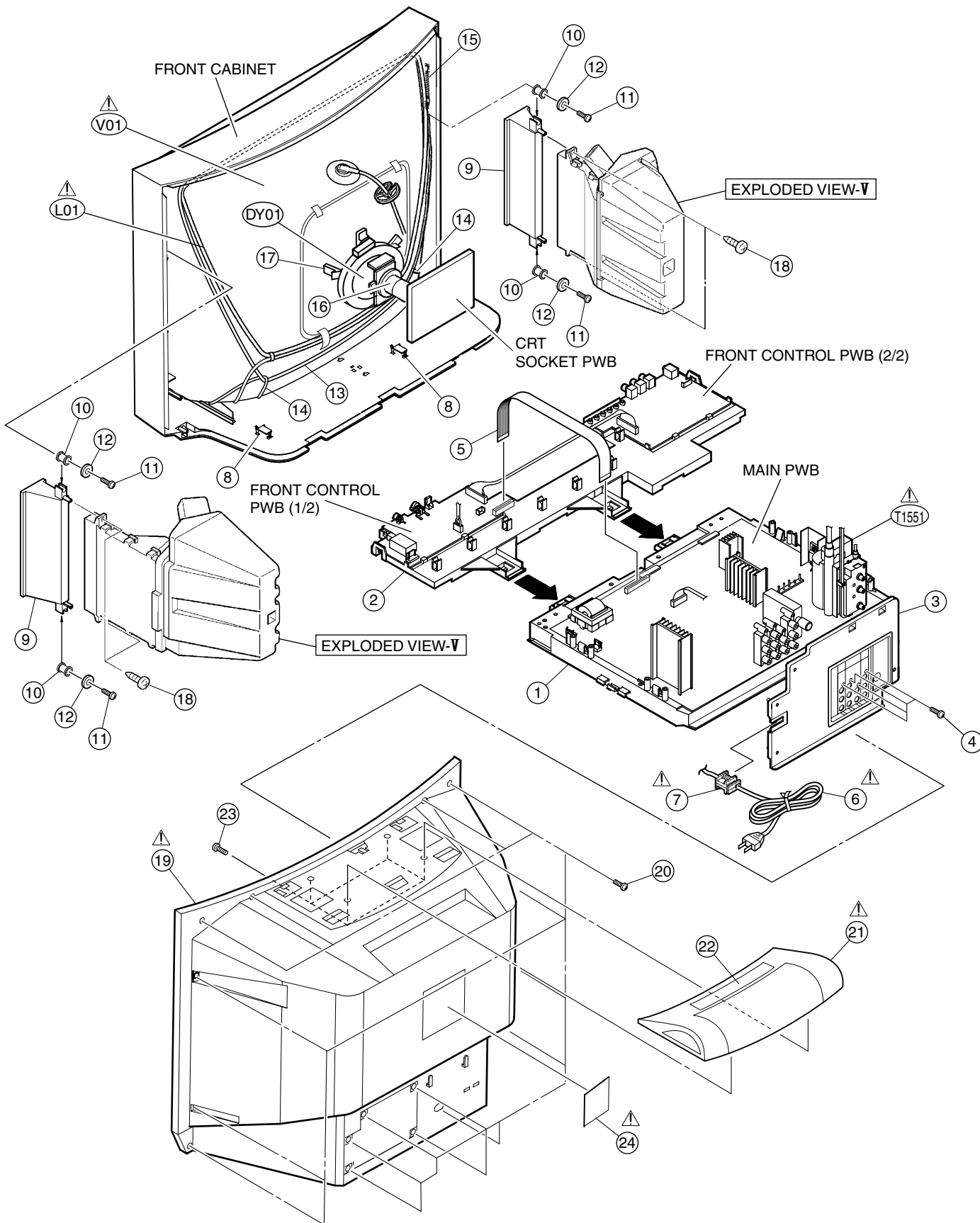
EXPLODED VIEW-V [AV-29L81B-BK]



EXPLODED VIEW PARTS LIST-VI [AV-29L81B-BK]

| △ Ref.No. | Part No. | Part Name | Description | Local |
|-----------|-----------------|---------------------|-------------|-------|
| △ V01 | A68QCU259X | PICTURE TUBE | | |
| △ L01 | QQW0113-001 | DEG COIL | | |
| △ DY01 | QQD0057-001 | DEF YOKE | | |
| △ T1551 | QQH0096-001 | FBT | | |
| 1 | LC11061-001A-H | CHASSIS BASE | | |
| 2 | LC11062-001D-H | CONTROL BASE | | |
| 3 | LC11064-002A-H | AV TERMINAL BOARD | | |
| 4 | QYSBSF3012M | TAPPING SCREW | (X4) | |
| 5 | CHFD125-18BD-N | FFC WIRE | | |
| △ 6 | QMPR010-200-E2 | POWER CORD | | |
| △ 7 | CM23167-A01-H | POWER CORD CLAMP | | |
| 8 | LC30103-001B-H | CHASSIS ADAPTER | (X2) | |
| 9 | LC10767-001A-H | DOME ADAPTER | (X2) | |
| 10 | LC40226-003A-H | SPACER | (X4) | |
| 11 | LC40317-002A-H | TAPPING SCREW | (X4) | |
| 12 | LC40573-002A-H | WASHER | (X4) | |
| 13 | WJY0018-001A | BRAIDED ASS'Y | | |
| 14 | CHGB0017-0C | BRAIDED ASS'Y (SUB) | (X2) | |
| 15 | A48457-3-H | SPRING | | |
| 16 | CE42568-00A | PC MAGNET | | |
| 17 | CE40764-00A | WEDGE ASS'Y | (X4) | |
| 18 | QYSBSBG4016Z | TAPPING SCREW | (X4) | |
| △ 19 | LC10763-005A-HH | REAR COVER | | |
| 20 | QYSBSFG4016Z | TAPPING SCREW | (X16) | |
| △ 21 | LC10770-003A-H | TOP GRILLE | | |
| 22 | LC31074-003A-H | TOP PLATE | | |
| 23 | QYSBSFG4016Z | TAPPING SCREW | (X4) | |
| △ 24 | CM22960-091-H | RATING LABEL | | |

EXPLODED VIEW-VI [AV-29L81B-BK]



PRINTED WIRING BOARD PARTS LIST (AV-21L81B-BK)

MAIN PW BOARD ASS'Y (SCH-1040A-BK)

| △ Symbol No. | Part No. | Part Name | Description | Local | △ Symbol No. | Part No. | Part Name | Description | Local |
|-----------------|--------------|-----------|---------------|-------|-----------------|--------------|-----------|---------------|-------|
| RESISTOR | | | | | RESISTOR | | | | |
| R1001-02 | NRSA63J-221X | MG R | 220Ω 1/16W J | | △ R1532 | QRZ9017-4R7 | F R | 4.7Ω 1/4W J | |
| R1003 | NRSA63J-392X | MG R | 3.9kΩ 1/16W J | | △ R1540 | QRZ9011-4R7 | F R | 4.7Ω 1/4W J | |
| R1004 | NRSA63J-221X | MG R | 220Ω 1/16W J | | R1541-42 | QRE121J-154Y | C R | 150kΩ 1/2W J | |
| R1006 | NRSA63J-273X | MG R | 27kΩ 1/16W J | | R1543 | QRE121J-471Y | C R | 470Ω 1/2W J | |
| R1101 | NRSA63J-100X | MG R | 10Ω 1/16W J | | R1545 | QRE121J-220Y | C R | 22Ω 1/2W J | |
| R1102 | NRSA63J-682X | MG R | 6.8kΩ 1/16W J | | R1546 | QRE121J-822Y | C R | 8.2kΩ 1/2W J | |
| R1103 | NRSA63J-272X | MG R | 2.7kΩ 1/16W J | | R1591 | QRE121J-222Y | C R | 2.2kΩ 1/2W J | |
| R1104 | NRSA63J-181X | MG R | 180Ω 1/16W J | | R1592 | QRZ0221-2R2 | UNF R | 2.2Ω | |
| R1105 | NRSA63J-220X | MG R | 22Ω 1/16W J | | R1593 | NRSA63J-102X | MG R | 1kΩ 1/16W J | |
| R1106 | NRSA63J-101X | MG R | 100Ω 1/16W J | | R1594 | QRE121J-183Y | C R | 18kΩ 1/2W J | |
| R1107 | NRSA63J-472X | MG R | 4.7kΩ 1/16W J | | R1595 | NRSA63J-222X | MG R | 2.2kΩ 1/16W J | |
| R1108-09 | NRSA63J-222X | MG R | 2.2kΩ 1/16W J | | R1621-22 | NRSA63J-101X | MG R | 100Ω 1/16W J | |
| R1114 | NRSA63J-821X | MG R | 820Ω 1/16W J | | R1626 | NRSA63J-472X | MG R | 4.7kΩ 1/16W J | |
| R1115 | NRSA63J-181X | MG R | 180Ω 1/16W J | | R1627 | NRSA63J-224X | MG R | 220kΩ 1/16W J | |
| R1117 | NRSA63J-102X | MG R | 1kΩ 1/16W J | | R1628 | NRSA63J-104X | MG R | 100kΩ 1/16W J | |
| R1119 | NRSA63J-102X | MG R | 1kΩ 1/16W J | | R1629 | NRSA63J-153X | MG R | 15kΩ 1/16W J | |
| R1120 | NRSA63J-271X | MG R | 270Ω 1/16W J | | R1630 | NRSA63J-273X | MG R | 27kΩ 1/16W J | |
| R1122 | QRE141J-0R0Y | C R | 0.0Ω 1/4W J | | R1631 | NRSA63J-473X | MG R | 47kΩ 1/16W J | |
| R1130 | NRSA63J-472X | MG R | 4.7kΩ 1/16W J | | R1632-33 | NRSA63J-103X | MG R | 10kΩ 1/16W J | |
| R1131 | NRSA63J-471X | MG R | 470Ω 1/16W J | | R1650 | NRSA63J-103X | MG R | 10kΩ 1/16W J | |
| R1132 | NRSA63J-222X | MG R | 2.2kΩ 1/16W J | | R1651 | NRSA63J-222X | MG R | 2.2kΩ 1/16W J | |
| R1133 | NRSA63J-152X | MG R | 1.5kΩ 1/16W J | | R1652 | NRSA63J-104X | MG R | 100kΩ 1/16W J | |
| R1134 | NRSA63J-182X | MG R | 1.8kΩ 1/16W J | | R1653 | NRSA63J-472X | MG R | 4.7kΩ 1/16W J | |
| R1135 | NRSA63J-561X | MG R | 560Ω 1/16W J | | R1654 | NRSA63J-103X | MG R | 10kΩ 1/16W J | |
| R1136 | NRSA63J-472X | MG R | 4.7kΩ 1/16W J | | R1655 | NRSA63J-222X | MG R | 2.2kΩ 1/16W J | |
| R1137 | NRSA63J-103X | MG R | 10kΩ 1/16W J | | R1656-57 | NRSA63J-822X | MG R | 8.2kΩ 1/16W J | |
| R1138 | NRSA63J-561X | MG R | 560Ω 1/16W J | | R1660 | NRSA63J-103X | MG R | 10kΩ 1/16W J | |
| R1139 | NRSA63J-222X | MG R | 2.2kΩ 1/16W J | | R1661 | NRSA63J-683X | MG R | 68kΩ 1/16W J | |
| R1140 | NRSA63J-152X | MG R | 1.5kΩ 1/16W J | | R1662 | NRSA63J-333X | MG R | 33kΩ 1/16W J | |
| R1141 | NRSA63J-182X | MG R | 1.8kΩ 1/16W J | | R1663 | NRSA63J-103X | MG R | 10kΩ 1/16W J | |
| R1142 | NRSA63J-561X | MG R | 560Ω 1/16W J | | R1664 | NRSA63J-222X | MG R | 2.2kΩ 1/16W J | |
| R1143 | NRSA63J-471X | MG R | 470Ω 1/16W J | | R1667 | NRSA63J-102X | MG R | 1kΩ 1/16W J | |
| R1144 | NRSA63J-220X | MG R | 22Ω 1/16W J | | R1688 | NRSA63J-273X | MG R | 27kΩ 1/16W J | |
| R1145 | NRSA63J-821X | MG R | 820Ω 1/16W J | | R1690 | NRSA63J-104X | MG R | 100kΩ 1/16W J | |
| R1146 | NRSA63J-103X | MG R | 10kΩ 1/16W J | | R1691 | NRSA63J-682X | MG R | 6.8kΩ 1/16W J | |
| R1147 | NRSA63J-101X | MG R | 100Ω 1/16W J | | R1692 | NRSA63J-104X | MG R | 100kΩ 1/16W J | |
| R1148 | NRSA63J-332X | MG R | 3.3kΩ 1/16W J | | R1693 | NRSA63J-103X | MG R | 10kΩ 1/16W J | |
| R1149 | NRSA63J-122X | MG R | 1.2kΩ 1/16W J | | R1694 | NRSA63J-472X | MG R | 4.7kΩ 1/16W J | |
| R1301-02 | NRSA63J-222X | MG R | 2.2kΩ 1/16W J | | R1695 | NRSA63J-752X | MG R | 7.5kΩ 1/16W J | |
| R1303 | NRSA63J-562X | MG R | 5.6kΩ 1/16W J | | R1696 | NRSA63J-0R0X | MG R | 0.0Ω 1/16W J | |
| R1304-05 | NRSA63J-222X | MG R | 2.2kΩ 1/16W J | | R1697 | NRSA63J-103X | MG R | 10kΩ 1/16W J | |
| R1306 | NRSA63J-562X | MG R | 5.6kΩ 1/16W J | | R1698-99 | NRSA63J-104X | MG R | 100kΩ 1/16W J | |
| R1350-51 | NRSA63J-151X | MG R | 150Ω 1/16W J | | R1701 | NRSA63J-103X | MG R | 10kΩ 1/16W J | |
| R1353 | NRSA63J-151X | MG R | 150Ω 1/16W J | | R1702-03 | NRSA63J-101X | MG R | 100Ω 1/16W J | |
| R1354 | QRE121J-222Y | C R | 2.2kΩ 1/2W J | | R1704 | NRSA63J-102X | MG R | 1kΩ 1/16W J | |
| R1361 | NRSA63J-0R0X | MG R | 0.0Ω 1/16W J | | R1705 | NRSA63J-103X | MG R | 10kΩ 1/16W J | |
| R1363 | QRZ0107-152Z | C R | 1.5kΩ 1/2W K | | R1706 | NRSA63J-102X | MG R | 1kΩ 1/16W J | |
| R1364 | QRE121J-222Y | C R | 2.2kΩ 1/2W J | | R1707-10 | NRSA63J-472X | MG R | 4.7kΩ 1/16W J | |
| R1365 | QRZ0107-152Z | C R | 1.5kΩ 1/2W K | | R1711-14 | NRSA63J-101X | MG R | 100Ω 1/16W J | |
| R1368 | QRZ0107-152Z | C R | 1.5kΩ 1/2W K | | R1715-17 | NRSA63J-103X | MG R | 10kΩ 1/16W J | |
| R1369 | QRE121J-222Y | C R | 2.2kΩ 1/2W J | | R1718-19 | NRSA63J-221X | MG R | 220Ω 1/16W J | |
| R1373-74 | QRE121J-124Y | C R | 120kΩ 1/2W J | | R1720 | NRSA63J-102X | MG R | 1kΩ 1/16W J | |
| R1380-83 | NRSA63J-101X | MG R | 100Ω 1/16W J | | R1721-24 | NRSA63J-221X | MG R | 220Ω 1/16W J | |
| R1384 | NRSA63J-223X | MG R | 22kΩ 1/16W J | | R1725 | NRSA63J-103X | MG R | 10kΩ 1/16W J | |
| R1401 | NRSA63J-224X | MG R | 220kΩ 1/16W J | | R1726 | NRSA63J-472X | MG R | 4.7kΩ 1/16W J | |
| R1403 | NRSA63J-0R0X | MG R | 0.0Ω 1/16W J | | R1727 | NRSA63J-104X | MG R | 100kΩ 1/16W J | |
| R1405 | NRSA63J-682X | MG R | 6.8kΩ 1/16W J | | R1728 | NRSA63J-103X | MG R | 10kΩ 1/16W J | |
| R1406 | NRSA63J-123X | MG R | 12kΩ 1/16W J | | R1730 | NRSA63J-223X | MG R | 22kΩ 1/16W J | |
| R1408 | NRSA63J-682X | MG R | 6.8kΩ 1/16W J | | R1731 | NRSA63J-101X | MG R | 100Ω 1/16W J | |
| R1410 | NRSA63J-123X | MG R | 12kΩ 1/16W J | | R1732 | NRSA63J-393X | MG R | 39kΩ 1/16W J | |
| R1411 | QRG01GJ-221 | OM R | 220Ω 1W J | | R1733 | NRSA63J-273X | MG R | 27kΩ 1/16W J | |
| R1412 | QRE121J-1R0Y | C R | 1.0Ω 1/2W J | | R1734 | NRSA63J-391X | MG R | 390Ω 1/16W J | |
| R1413 | QRX01GJ-2R7 | MF R | 2.7Ω 1W J | | R1735 | NRSA63J-104X | MG R | 100kΩ 1/16W J | |
| R1414 | QRE121J-151Y | C R | 150Ω 1/2W J | | R1736 | NRSA63J-333X | MG R | 33kΩ 1/16W J | |
| R1425 | NRSA63J-683X | MG R | 68kΩ 1/16W J | | R1737 | NRSA63J-272X | MG R | 2.7kΩ 1/16W J | |
| R1521 | NRSA63J-101X | MG R | 100Ω 1/16W J | | R1738 | NRSA63J-103X | MG R | 10kΩ 1/16W J | |
| R1522 | NRSA63J-102X | MG R | 1kΩ 1/16W J | | R1739-41 | NRSA63J-101X | MG R | 100Ω 1/16W J | |
| R1524 | QRL02EJ-330X | OM R | 33Ω 2W J | | R1742 | NRSA63J-0R0X | MG R | 0.0Ω 1/16W J | |
| R1526 | QRG01GJ-271 | OM R | 270Ω 1W J | | R1743 | QRE141J-102Y | C R | 1kΩ 1/4W J | |
| R1527 | QRL03EJ-103X | OM R | 10kΩ 3W J | | R1744 | NRSA63J-561X | MG R | 560Ω 1/16W J | |
| R1528-29 | QRX029J-1R2 | MF R | 1.2Ω 2W J | | R1745 | NRSA63J-105X | MG R | 1MΩ 1/16W J | |
| R1531 | NRSA63J-222X | MG R | 2.2kΩ 1/16W J | | R1746 | NRSA63J-333X | MG R | 33kΩ 1/16W J | |

| △ Symbol No. | Part No. | Part Name | Description | Local | △ Symbol No. | Part No. | Part Name | Description | Local |
|------------------|--------------|-----------|------------------|-------|------------------|--------------|-----------|---------------|--------|
| CAPACITOR | | | | | CAPACITOR | | | | |
| C1422 | QEHQ1VM-108 | E CAP. | 1000µF 35V M | | C1741-42 | NCB31CK-104X | C CAP. | 0.1µF 16V K | |
| C1521 | QETN1VM-476Z | E CAP. | 47µF 35V M | | C1743 | QETN1CM-107Z | E CAP. | 100µF 16V M | |
| C1522 | QFLC1HJ-332Z | M CAP. | 3300pF 50V J | | C1744 | NCB21HK-102X | C CAP. | 1000pF 50V K | |
| C1523 | QFLC1HJ-223Z | M CAP. | 0.022µF 50V J | | C1745-47 | NCB31EK-473X | C CAP. | 0.047µF 25V K | |
| C1524 | QFZ0200-612 | MPP CAP. | 6100pF 1.5kVH±3% | | C1749 | QETN1HM-106Z | E CAP. | 10µF 50V M | |
| C1525 | QFZ0200-342 | MPP CAP. | 3400pF 1.5kVH±3% | | C1751-53 | NCB31CK-104X | C CAP. | 0.1µF 16V K | |
| C1526 | QFP32GJ-393 | PP CAP. | 0.039µF 400V J | | C1760 | NCB21EK-104X | C CAP. | 0.1µF 25V K | |
| C1527 | QFZ0199-154 | MPP CAP. | 0.15µF 250V J | | C1761 | QETN1CM-107Z | E CAP. | 100µF 16V M | |
| C1528 | QFZ0197-124 | MPP CAP. | 0.12µF 250V J | | C1770 | QETN1HM-106Z | E CAP. | 10µF 50V M | |
| C1529 | QEHR2EM-475Z | E CAP. | 4.7µF 250V M | | C1801-04 | QETN1HM-106Z | E CAP. | 10µF 50V M | |
| C1530 | QCB32HK-561Z | C CAP. | 560pF 500V K | | C1805 | QFLC1HJ-104Z | M CAP. | 0.1µF 50V J | |
| C1531 | QEHR1EM-108Z | E CAP. | 1000µF 25V M | | C1807-08 | NCF31AZ-105X | C CAP. | 1µF 10V Z | |
| C1533 | QEHR1EM-108Z | E CAP. | 1000µF 25V M | | C1810 | NCF31AZ-105X | C CAP. | 1µF 10V Z | |
| C1535 | QCB32HK-101Z | C CAP. | 100pF 500V K | | C1811 | QFLC1HJ-104Z | M CAP. | 0.1µF 50V J | |
| C1536 | QFLC1HJ-103Z | M CAP. | 0.01µF 50V J | | C1812 | NCF31AZ-105X | C CAP. | 1µF 10V Z | |
| C1540 | QFV71HJ-104Z | MF CAP. | 0.1µF 50V J | | C1813 | NCB31HK-103X | C CAP. | 0.01µF 50V K | |
| C1541 | QETN2EM-226Z | E CAP. | 22µF 250V M | | C1814 | QFLC1HJ-104Z | M CAP. | 0.1µF 50V J | |
| C1550 | NCB31CK-104X | C CAP. | 0.1µF 16V K | | C1815 | NCF31AZ-105X | C CAP. | 1µF 10V Z | |
| C1591 | QETN1AM-107Z | E CAP. | 100µF 10V M | | C1817 | NCF31AZ-105X | C CAP. | 1µF 10V Z | |
| C1592 | QEZ0203-107 | E CAP. | 100µF 160V M | | C1819 | QFLC1HJ-104Z | M CAP. | 0.1µF 50V J | |
| C1593 | QETN1EM-476Z | E CAP. | 47µF 25V M | | C1820-21 | NCF31AZ-105X | C CAP. | 1µF 10V Z | |
| C1625 | QETN1HM-106Z | E CAP. | 10µF 50V M | | C1822 | QETN1CM-477Z | E CAP. | 470µF 16V M | |
| C1626 | QETN1CM-107Z | E CAP. | 100µF 16V M | | C1823-24 | QETN1CM-107Z | E CAP. | 100µF 16V M | |
| C1629 | QETN1HM-475Z | E CAP. | 4.7µF 50V M | | C1825 | NCB31HK-103X | C CAP. | 0.01µF 50V K | |
| C1630 | NDC31HJ-471X | C CAP. | 470pF 50V J | | C1826 | QFLC1HJ-104Z | M CAP. | 0.1µF 50V J | |
| C1631 | NCB31EK-333X | C CAP. | 0.033µF 25V K | | C1827 | NCB31HK-103X | C CAP. | 0.01µF 50V K | |
| C1632 | NDC31HJ-471X | C CAP. | 470pF 50V J | | C1829-31 | NCB31HK-103X | C CAP. | 0.01µF 50V K | |
| C1633 | NCB31EK-333X | C CAP. | 0.033µF 25V K | | C1833 | QETN1HM-226Z | E CAP. | 22µF 50V M | |
| C1634 | QETN1HM-106Z | E CAP. | 10µF 50V M | | C1834 | NDC31HJ-181X | C CAP. | 180pF 50V J | |
| C1635-37 | QETN1HM-105Z | E CAP. | 1µF 50V M | | C1850 | QETN1HM-475Z | E CAP. | 4.7µF 50V M | |
| C1638 | NCB31EK-333X | C CAP. | 0.033µF 25V K | | C1851 | NDC31HJ-3R0X | C CAP. | 3.0pF 50V J | |
| C1639 | NDC31HJ-471X | C CAP. | 470pF 50V J | | C1852 | NCF31CZ-224X | C CAP. | 0.22µF 16V Z | |
| C1640 | QETN1HM-475Z | E CAP. | 4.7µF 50V M | | C1853-55 | QETN1HM-475Z | E CAP. | 4.7µF 50V M | |
| C1641 | QETN1CM-107Z | E CAP. | 100µF 16V M | | C1856 | QETN1HM-105Z | E CAP. | 1µF 50V M | |
| C1642 | NCB31CK-104X | C CAP. | 0.1µF 16V K | | C1857 | QETN1CM-108Z | E CAP. | 1000µF 16V M | |
| C1643 | NCB31HK-562X | C CAP. | 5600pF 50V K | | C1858-59 | QETN1HM-475Z | E CAP. | 4.7µF 50V M | |
| C1644 | QETN1HM-475Z | E CAP. | 4.7µF 50V M | | C1863 | NCB21HK-333X | C CAP. | 0.033µF 50V K | |
| C1645-46 | QETN1HM-106Z | E CAP. | 10µF 50V M | | C1864 | NCF21CZ-105X | C CAP. | 1µF 16V Z | |
| C1647 | NCB31EK-393X | C CAP. | 0.039µF 25V K | | C1867 | QETN1HM-106Z | E CAP. | 10µF 50V M | |
| C1648 | NCB31HK-223X | C CAP. | 0.022µF 50V K | | C1868 | NCB21CK-334X | C CAP. | 0.33µF 16V K | |
| C1650 | QETN1HM-106Z | E CAP. | 10µF 50V M | | C1869 | NCB21HK-333X | C CAP. | 0.033µF 50V K | |
| C1651 | QEHR1HM-107Z | E CAP. | 100µF 50V M | | C1870 | NCB21CK-334X | C CAP. | 0.33µF 16V K | |
| C1652 | QETN1HM-106Z | E CAP. | 10µF 50V M | | C1871 | QETN1CM-107Z | E CAP. | 100µF 16V M | |
| C1654 | QETM1VM-228 | E CAP. | 2200µF 35V M | | △ C1901 | QFZ9073-104 | MF CAP. | 0.1µF | |
| C1655-56 | QEHQ1VM-108 | E CAP. | 1000µF 35V M | | △ C1902 | QFZ9073-473 | MF CAP. | 0.047µF | |
| C1657 | QETN1HM-106Z | E CAP. | 10µF 50V M | | △ C1903-05 | QCZ9015-102Z | C CAP. | 1000pF | 250V Z |
| C1662 | QEHR1HM-106Z | E CAP. | 10µF 50V M | | △ C1906 | QFZ9073-224 | MF CAP. | 0.22µF | |
| C1665 | NCB21EK-124X | C CAP. | 0.12µF 25V K | | C1907 | QEZ0552-227 | E CAP. | 220µF | |
| C1669 | NCB21EK-124X | C CAP. | 0.12µF 25V K | | C1908 | QCZ0364-222 | C CAP. | 2200pF | |
| C1681-82 | QETN1CM-227Z | E CAP. | 220µF 16V M | | C1910 | NDC21HJ-471X | C CAP. | 470pF 50V J | |
| C1683 | QETN1CM-336Z | E CAP. | 33µF 16V M | | C1911 | QEHR1EM-227Z | E CAP. | 220µF 25V M | |
| C1684 | QETN1HM-107Z | E CAP. | 100µF 50V M | | C1913 | QCZ0122-471 | C CAP. | 470pF 2000V K | |
| C1702 | QETN1HM-106Z | E CAP. | 10µF 50V M | | C1914 | QETN1EM-227Z | E CAP. | 220µF 25V M | |
| C1703-04 | NDC31HJ-220X | C CAP. | 22pF 50V J | | C1915 | QFLC1HJ-122Z | M CAP. | 1200pF 50V J | |
| C1706 | NCB21EK-224X | C CAP. | 0.22µF 25V K | | C1952 | QCB32HK-471Z | C CAP. | 470pF 500V K | |
| C1707 | QETN1CM-107Z | E CAP. | 100µF 16V M | | C1953 | QETM1VM-108 | E CAP. | 1000µF 35V M | |
| C1709 | QETN1CM-107Z | E CAP. | 100µF 16V M | | C1954 | NCB31HK-102X | C CAP. | 1000pF 50V K | |
| C1710 | NCB21EK-224X | C CAP. | 0.22µF 25V K | | C1957 | QCB32HK-471Z | C CAP. | 470pF 500V K | |
| C1711 | NCB31CK-104X | C CAP. | 0.1µF 16V K | | C1958 | QEHQ1EM-108 | E CAP. | 1000µF 25V M | |
| C1713 | NCB31CK-104X | C CAP. | 0.1µF 16V K | | C1959 | QCZ0364-561 | C CAP. | 560pF | |
| C1714-15 | QETN1CM-476Z | E CAP. | 47µF 16V M | | C1960 | QEZ0203-107 | E CAP. | 100µF 160V M | |
| C1720 | QETN1CM-476Z | E CAP. | 47µF 16V M | | C1962 | QETN1HM-106Z | E CAP. | 10µF 50V M | |
| C1725 | NCB31HK-681X | C CAP. | 680pF 50V K | | C1963-64 | QETN1CM-476Z | E CAP. | 47µF 16V M | |
| C1726 | QETN1HM-106Z | E CAP. | 10µF 50V M | | C1968 | NCB31CK-104X | C CAP. | 0.1µF 16V K | |
| C1730-31 | NCB21EK-224X | C CAP. | 0.22µF 25V K | | C1970 | QEHR1CM-107Z | E CAP. | 100µF 16V M | |
| C1732 | QETN1CM-107Z | E CAP. | 100µF 16V M | | C1972 | QEHR1VM-476Z | E CAP. | 47µF 35V M | |
| C1733 | NCB31CK-104X | C CAP. | 0.1µF 16V K | | C1973 | QEHR1CM-107Z | E CAP. | 100µF 16V M | |
| C1734-35 | NCB31HK-222X | C CAP. | 2200pF 50V K | | C1974 | NCB31CK-104X | C CAP. | 0.1µF 16V K | |
| C1736-37 | QETN1HM-105Z | E CAP. | 1µF 50V M | | C1975 | QEHR1CM-227Z | E CAP. | 220µF 16V M | |
| C1738 | NCB31CK-104X | C CAP. | 0.1µF 16V K | | C1976 | QEHR1CM-107Z | E CAP. | 100µF 16V M | |
| C1739 | NFV41CJ-104X | MPP CAP. | 0.1µF 16V J | | C1977 | QEHR1AM-477Z | E CAP. | 470µF 10V M | |
| C1740 | QETN1HM-225Z | E CAP. | 2.2µF 50V M | | C1978 | NCB21HK-104X | C CAP. | 0.1µF 50V K | |

| △ Symbol No. | Part No. | Part Name | Description | Local |
|--------------------|----------------|------------------|-------------|-------|
| CAPACITOR | | | | |
| C1980 | QETN1CM-107Z | E CAP. | 100μF 16V | M |
| △ C1991-93 | QCZ9079-102 | C CAP. | 1000pF 250V | M |
| TRANSFORMER | | | | |
| T1521 | CE40203-00CJ1 | DRIVE TRANSF. | | |
| △ T1551 | QQH0104-001 | H.V.TRANSF. | | |
| △ T1901 | QQS0121-001 | SWITCH.TRANSF. | | |
| COIL | | | | |
| L1001-02 | QQL244K-8R2Z | COIL | 8.2μH | K |
| L1101-02 | QQL244K-5R6Z | COIL | 5.6μH | K |
| L1103 | QQL244K-100Z | COIL | 10μH | K |
| L1104 | QQL244J-5R6Z | COIL | 5.6μH | J |
| L1351 | QQL03BJ-5R6Z | COIL | 5.6μH | J |
| L1523 | QQR1005-004 | LINEARITY COIL | | |
| L1524 | QQLZ034-360 | CHOKE COIL | 36μH | |
| L1701-02 | QQL244K-100Z | COIL | 10μH | K |
| L1731 | QQL244J-5R6Z | COIL | 5.6μH | J |
| L1951 | QQLZ034-460 | CHOKE COIL | 46μH | |
| L1954 | QQL244J-5R6Z | COIL | 5.6μH | J |
| DIODE | | | | |
| D1101 | DAN235K-X | SI.DIODE | | |
| D1351 | MA111-X | SI.DIODE | | |
| D1356 | MA111-X | SI.DIODE | | |
| D1357-59 | RGP10J-5025-T3 | SI.DIODE | | |
| D1360 | MA3075/M-X | ZENER DIODE | | |
| D1361-64 | MA111-X | SI.DIODE | | |
| D1401 | RGP10J-5025-T3 | SI.DIODE | | |
| D1402 | MTZJ75-T2 | ZENER DIODE | | |
| D1405 | 1N4003-T2 | SI.DIODE | | |
| D1408 | MA111-X | SI.DIODE | | |
| D1521 | ERB06-15-F1 | SI.DIODE | | |
| D1522 | RU3AM-LFC4 | SI.DIODE | | |
| D1523 | RGP10J-5025-T3 | SI.DIODE | | |
| D1541 | RGP10J-5025-T3 | SI.DIODE | | |
| D1550 | MA111-X | SI.DIODE | | |
| D1551 | RGP10J-5025-T3 | SI.DIODE | | |
| D1553-54 | RGP10J-5025-T3 | SI.DIODE | | |
| D1592 | MA3075/H-X | ZENER DIODE | | |
| D1651-53 | MA3330/L-X | ZENER DIODE | | |
| D1654 | MA111-X | SI.DIODE | | |
| D1682 | MA111-X | SI.DIODE | | |
| D1702 | MA3024-X | ZENER DIODE | | |
| D1730-33 | MA111-X | SI.DIODE | | |
| D1760 | SLR-342VR-T16 | L.E.D. | | |
| D1770 | MA111-X | SI.DIODE | | |
| D1771 | P1241-04 | C.D.S. | | |
| D1806-07 | MTZJ12C-T2 | ZENER DIODE | | |
| D1850 | MA3043-X | ZENER DIODE | | |
| D1851-54 | MA111-X | SI.DIODE | | |
| D1901 | GSIB460 | DIODE | | |
| D1903 | MTZJ12C-T2 | ZENER DIODE | | |
| D1904 | EG01C-T2 | SI.DIODE | | |
| D1906 | EG01C-T2 | SI.DIODE | | |
| D1907 | MA3300/M-X | CHIP ZENER DIODE | | |
| D1908 | MTZJ27B-T2 | ZENER DIODE | | |
| D1909 | MA111-X | SI.DIODE | | |
| D1910 | NRSA63J-0R0X | MG R | 0.0Ω 1/16W | J |
| D1911 | RGP10J-TS-T3 | SI.DIODE | | |
| D1912 | 1SS133-T2 | SI.DIODE | | |
| D1914 | ERC30-02L38 | SI.DIODE | | |

| △ Symbol No. | Part No. | Part Name | Description | Local |
|-------------------|-----------------|-----------------|-------------|-----------|
| DIODE | | | | |
| D1952 | FSF05A20 | SI DIODE | | |
| D1954 | RK14-T3 | SI.DIODE | | |
| D1955 | 1SR35-400A-T2 | SI.DIODE | | |
| D1956 | RU3AM-LFC4 | SI.DIODE | | |
| D1958 | MTZJ5.1A-T2 | ZENER DIODE | | |
| D1964 | MA3330/L-X | ZENER DIODE | | |
| D1965 | 1SS133-T2 | SI.DIODE | | |
| D1966 | MA3068/M-X | ZENER DIODE | | |
| D1968-69 | MA111-X | SI.DIODE | | |
| TRANSISTOR | | | | |
| Q1101 | 2SC5083/L-P/-T | SI.TRANSISTOR | | |
| Q1102 | DTC124EKA-X | DIGI.TRANSISTOR | | |
| Q1107 | 2SA1037AK/QR/-X | SI.TRANSISTOR | | |
| Q1108 | 2SC2412K/QR/-X | SI.TRANSISTOR | | |
| Q1109 | 2SA1037AK/QR/-X | SI.TRANSISTOR | | |
| Q1130 | 2SA1037AK/QR/-X | SI.TRANSISTOR | | |
| Q1131 | DTC124EKA-X | DIGI.TRANSISTOR | | |
| Q1132 | 2SC2412K/QR/-X | SI.TRANSISTOR | | |
| Q1133 | 2SA1037AK/QR/-X | SI.TRANSISTOR | | |
| Q1134-35 | DTC124EKA-X | DIGI.TRANSISTOR | | |
| Q1136-37 | 2SC2412K/QR/-X | SI.TRANSISTOR | | |
| Q1301-02 | 2SA1037AK/QR/-X | SI.TRANSISTOR | | |
| Q1351 | 2SA1037AK/QR/-X | SI.TRANSISTOR | | |
| Q1353-55 | 2SC2412K/QR/-X | SI.TRANSISTOR | | |
| Q1521 | 2SC2655/Y-T | SI.TRANSISTOR | | |
| Q1522 | 2SD2634-YD | SI.TRANSISTOR | | |
| Q1591 | 2SA1208/STZ1-T | SI.TRANSISTOR | | |
| Q1592 | DTC124EKA-X | DIGI.TRANSISTOR | | |
| Q1650 | DTC323TK-X | DIGI.TRANSISTOR | | |
| Q1651 | DTC124EKA-X | DIGI.TRANSISTOR | | |
| Q1660-61 | 2SC2412K/QR/-X | SI.TRANSISTOR | | |
| Q1683-84 | 2SA1037AK/QR/-X | SI.TRANSISTOR | | |
| Q1685-86 | DTC323TK-X | DIGI.TRANSISTOR | | |
| Q1687 | 2SC2412K/QR/-X | SI.TRANSISTOR | | |
| Q1688 | 2SA1037AK/QR/-X | SI.TRANSISTOR | | |
| Q1701-02 | 2SA1037AK/QR/-X | SI.TRANSISTOR | | |
| Q1703 | 2SC2412K/QR/-X | SI.TRANSISTOR | | |
| Q1720 | 2SA1037AK/QR/-X | SI.TRANSISTOR | | |
| Q1770 | 2SA1037AK/QR/-X | SI.TRANSISTOR | | |
| Q1801-02 | DTC323TK-X | DIGI.TRANSISTOR | | |
| Q1803 | 2SA1037AK/QR/-X | SI.TRANSISTOR | | |
| Q1804 | 2SC1740S/QR/-T | SI.TRANSISTOR | | |
| Q1850 | 2SK301/P/-T | F.E.T. | | |
| Q1851-52 | 2SC2412K/QR/-X | SI.TRANSISTOR | | |
| Q1860 | 2SC2412K/QR/-X | SI.TRANSISTOR | | |
| Q1861-62 | 2SA1037AK/QR/-X | SI.TRANSISTOR | | |
| Q1952-54 | 2SC2412K/QR/-X | SI.TRANSISTOR | | |
| IC | | | | |
| IC1130 | M52342SP | I.C(MONO-ANA) | | |
| IC1351 | TDA6107Q/N2 | I.C(MONO-ANA) | | |
| IC1401 | AN5522 | I.C(MONO-ANA) | | |
| IC1602 | BH3866AS | I C | | |
| IC1650 | AN7585 | I.C(M) | | |
| IC1701 | TDA9386N12S0555 | I.C(MICRO-COMP) | | |
| IC1702 | AT24C08-21LS | I.C(MEMORY-OTH) | | (SERVICE) |
| IC1760 | GP1U281Q | IFR DETECT UNIT | | |
| IC1801 | MM1492AF | I.C(MONO-ANA) | | |
| IC1850 | BA10324AF-XE | I.C(MONO-ANA) | | |
| IC1901 | STR-F6709A/F7 | I.C(HYBRID) | | |
| IC1951 | SE135N | I.C(HYBRID) | | |
| IC1972 | L88M33T-X | I.C(MONO-ANA) | | |
| IC1974 | BA51W12ST-V5 | I.C(MONO-ANA) | | |

| △ Symbol No. | Part No. | Part Name | Description | Local |
|---------------|----------------|-----------------|-------------|---------|
| OTHERS | | | | |
| | LC30114-001C-H | L.E.D.HOLDER | | |
| | CM35921-005-H | CDS HOLDER | | |
| CF1104 | TPS5.5MW | CERAMIC FILTER | | |
| CF1105 | TPS6.5MB | CERAMIC FILTER | | |
| CF1106 | TPSH6.0MB | CERAMIC FILTER | | |
| CF1130-31 | SFE5.74MC2 | CERAMIC TRAP | | |
| CF1140 | QAX0336-001 | CERAMIC FILTER | | |
| CF1141 | QAX0337-001 | CERAMIC FILTER | | |
| CF1142 | QAX0338-001 | CERAMIC FILTER | | |
| CL1001 | QZW0027-002 | WIRE CLAMP | | |
| CL1002 | QQW0027-001 | WIRE CLAMP | | |
| △ CP1951 | ICP-N75-Y | I.C.PROTECT | | |
| △ CP1953 | ICP-N75-Y | I.C.PROTECT | | |
| △ F1901 | QMF51E2-4R0J4 | FUSE | | |
| FC1901 | CEMG002-001Z | FUSE CLIP | | |
| J1770 | QNS0155-001 | JACK | | |
| J1771 | QNN0282-003 | PIN JACK | | |
| J1772 | QNN0282-002 | PIN JACK | | |
| J1773 | QNN0282-001 | PIN JACK | | |
| J1774 | QNS0100-001 | 3.5 JACK | | |
| J1801 | QNN0349-001 | PIN JACK | | |
| J1802 | QNN0349-002 | PIN JACK | | |
| J1803 | QNN0348-001 | PIN JACK | | |
| J1804 | QNN0349-001 | PIN JACK | | |
| K1101 | QQR1214-001Y | FERRITE BEADS | | |
| K1103 | QQR1214-001Y | FERRITE BEADS | | |
| K1104 | CE42050-001Z | CORE | | |
| K1701 | QQR1214-001Y | FERRITE BEADS | | |
| K1902 | CE41433-001Z | BEADS CORE | | |
| K1951 | QQR1214-001Y | FERRITE BEADS | | |
| △ K1954-55 | QQR1214-001Y | FERRITE BEADS | | |
| △ LF1901 | QQR0673-004 | LINE FILTER | | |
| △ LF1902 | QQR1035-002 | LINE FILTER | | |
| △ PC1901 | PC123F2 | I.C(PH.COUPLER) | | |
| △ RY1901 | QSK0061-001 | RELAY | | |
| S1780 | QSW0619-003Z | PUSH SWITCH | MENU | |
| S1781 | QSW0619-003Z | PUSH SWITCH | CH- | |
| S1782 | QSW0619-003Z | PUSH SWITCH | CH+ | |
| S1783 | QSW0619-003Z | PUSH SWITCH | VOL- | |
| S1784 | QSW0619-003Z | PUSH SWITCH | VOL+ | |
| △ S1901 | QSW0846-001 | PUSH SWITCH | POWER | |
| SF1101 | QAX0325-001 | SAW FILTER | | |
| SF1102 | QAX0594-001 | SAW FILTER | | |
| SG1301-03 | QAF0006-501 | ARRESTER | | |
| SG1304 | QAF0041-272 | ARRESTER | | |
| △ SK1351 | CE42446-001 | C.R.T.SOCKET | | |
| TH1901 | QAD0134-4R5 | P.THERMISTOR | | |
| TU1001 | QAU0185-004 | TUNER | | |
| △ VA1901 | QAF0052-621 | VARISTOR | | |
| W1008 | NRSA63J-0R0X | MG R | 0.0Ω | 1/16W J |
| W1010 | NRSA63J-0R0X | MG R | 0.0Ω | 1/16W J |
| W1071 | NRSA63J-0R0X | MG R | 0.0Ω | 1/16W J |
| W1239 | NRSA63J-0R0X | MG R | 0.0Ω | 1/16W J |
| W1257-58 | NRSA63J-0R0X | MG R | 0.0Ω | 1/16W J |
| W1260 | NRSA63J-0R0X | MG R | 0.0Ω | 1/16W J |
| W1299 | NRSA63J-0R0X | MG R | 0.0Ω | 1/16W J |
| W1307 | NRSA63J-0R0X | MG R | 0.0Ω | 1/16W J |
| W1309 | NRSA63J-0R0X | MG R | 0.0Ω | 1/16W J |
| W1321-22 | NRSA63J-0R0X | MG R | 0.0Ω | 1/16W J |
| W1325-26 | NRSA63J-0R0X | MG R | 0.0Ω | 1/16W J |
| W1330 | NRSA63J-0R0X | MG R | 0.0Ω | 1/16W J |
| W1333 | NRSA63J-0R0X | MG R | 0.0Ω | 1/16W J |
| W1375 | NRSA63J-0R0X | MG R | 0.0Ω | 1/16W J |
| W1379 | NRSA63J-0R0X | MG R | 0.0Ω | 1/16W J |
| W1388 | NRSA63J-0R0X | MG R | 0.0Ω | 1/16W J |
| W1400 | QQL244J-5R6Z | COIL | 5.6μH | J |
| W1416 | NRSA63J-0R0X | MG R | 0.0Ω | 1/16W J |
| W1418 | NRSA63J-0R0X | MG R | 0.0Ω | 1/16W J |
| W1427 | QRE141J-0R0Y | C R | 0.0Ω | 1/4W J |
| W1428 | NRSA63J-0R0X | MG R | 0.0Ω | 1/16W J |
| W1430 | NRSA63J-0R0X | MG R | 0.0Ω | 1/16W J |
| X1701 | QAX0688-001 | CRYSTAL | | |

| △ Symbol No. | Part No. | Part Name | Description | Local |
|---------------|--------------|-----------|-------------|---------|
| OTHERS | | | | |
| Y1001 | NRSA63J-0R0X | MG R | 0.0Ω | 1/16W J |
| Y1003 | NRSA63J-0R0X | MG R | 0.0Ω | 1/16W J |
| Y1301-02 | NRSA63J-0R0X | MG R | 0.0Ω | 1/16W J |
| Y1601 | NRSA63J-0R0X | MG R | 0.0Ω | 1/16W J |

PRINTED WIRING BOARD PARTS LIST (AV-25L81B-BK)

MAIN PW BOARD ASS'Y (SCH-1043A-BK)

| △ | Symbol No. | Part No. | Part Name | Description | Local | △ | Symbol No. | Part No. | Part Name | Description | Local |
|-----------------|------------|--------------|-----------|---------------|-------|-----------------|------------|--------------|-------------|---------------|-------------|
| RESISTOR | | | | | | RESISTOR | | | | | |
| | R1001-02 | NRSA63J-221X | MG R | 220Ω 1/16W J | | | R1487 | NRSA63J-333X | MG R | 33kΩ 1/16W J | |
| | R1003 | NRSA63J-392X | MG R | 3.9kΩ 1/16W J | | | R1489 | NRSA63J-122X | MG R | 1.2kΩ 1/16W J | |
| | R1004 | NRSA63J-221X | MG R | 220Ω 1/16W J | | | R1490 | NRSA63J-102X | MG R | 1kΩ 1/16W J | |
| | R1006 | NRSA63J-273X | MG R | 27kΩ 1/16W J | | | R1491 | NRSA63J-562X | MG R | 5.6kΩ 1/16W J | |
| | R1101 | NRSA63J-100X | MG R | 10Ω 1/16W J | | | R1492 | NRSA63J-822X | MG R | 8.2kΩ 1/16W J | |
| | R1102 | NRSA63J-682X | MG R | 6.8kΩ 1/16W J | | | R1493 | QRE121J-223Y | C R | 22kΩ 1/2W J | |
| | R1103 | NRSA63J-272X | MG R | 2.7kΩ 1/16W J | | | R1494 | QRL03EJ-470X | OM R | 47Ω 3W J | |
| | R1104 | NRSA63J-181X | MG R | 180Ω 1/16W J | | | R1521 | NRSA63J-101X | MG R | 100Ω 1/16W J | |
| | R1105 | NRSA63J-220X | MG R | 22Ω 1/16W J | | | R1522 | NRSA63J-102X | MG R | 1kΩ 1/16W J | |
| | R1106 | NRSA63J-101X | MG R | 100Ω 1/16W J | | | R1524 | QRL03EJ-820X | OM R | 82Ω 3W J | |
| | R1107 | NRSA63J-472X | MG R | 4.7kΩ 1/16W J | | | R1526 | QRL029J-271 | OM R | 270Ω 2W J | |
| | R1108-09 | NRSA63J-222X | MG R | 2.2kΩ 1/16W J | | | R1527 | QRL03EJ-103X | OM R | 10kΩ 3W J | |
| | R1114 | NRSA63J-821X | MG R | 820Ω 1/16W J | | | R1528 | QRX029J-R47 | MF R | 0.47Ω 2W J | |
| | R1115 | NRSA63J-181X | MG R | 180Ω 1/16W J | | | R1529 | QRX029J-R47 | MF R | 0.47Ω 2W J | |
| | R1117 | NRSA63J-102X | MG R | 1kΩ 1/16W J | | | R1531 | NRSA63J-222X | MG R | 2.2kΩ 1/16W J | |
| | R1119 | NRSA63J-102X | MG R | 1kΩ 1/16W J | | | △ | R1532 | QRZ9017-4R7 | F R | 4.7Ω 1/4W J |
| | R1120 | NRSA63J-271X | MG R | 270Ω 1/16W J | | | △ | R1540 | QRZ9011-4R7 | F R | 4.7Ω 1/4W J |
| | R1122 | QRE141J-0R0Y | C R | 0.0Ω 1/4W J | | | R1541-42 | QRE121J-124Y | C R | 120kΩ 1/2W J | |
| | R1130 | NRSA63J-472X | MG R | 4.7kΩ 1/16W J | | | R1543 | QRE121J-471Y | C R | 470Ω 1/2W J | |
| | R1131 | NRSA63J-471X | MG R | 470Ω 1/16W J | | | R1545 | QRE121J-220Y | C R | 22Ω 1/2W J | |
| | R1132 | NRSA63J-222X | MG R | 2.2kΩ 1/16W J | | | R1546 | QRE121J-822Y | C R | 8.2kΩ 1/2W J | |
| | R1133 | NRSA63J-152X | MG R | 1.5kΩ 1/16W J | | | R1591 | QRE121J-472Y | C R | 4.7kΩ 1/2W J | |
| | R1134 | NRSA63J-182X | MG R | 1.8kΩ 1/16W J | | | R1592 | QRZ0221-3R9 | UNF R | 3.9Ω | |
| | R1135 | NRSA63J-561X | MG R | 560Ω 1/16W J | | | R1593 | NRSA63J-821X | MG R | 820Ω 1/16W J | |
| | R1136 | NRSA63J-472X | MG R | 4.7kΩ 1/16W J | | | R1594 | QRE121J-183Y | C R | 18kΩ 1/2W J | |
| | R1137 | NRSA63J-103X | MG R | 10kΩ 1/16W J | | | R1595 | NRSA63J-222X | MG R | 2.2kΩ 1/16W J | |
| | R1138 | NRSA63J-561X | MG R | 560Ω 1/16W J | | | R1621-22 | NRSA63J-101X | MG R | 100Ω 1/16W J | |
| | R1139 | NRSA63J-222X | MG R | 2.2kΩ 1/16W J | | | R1626 | NRSA63J-472X | MG R | 4.7kΩ 1/16W J | |
| | R1140 | NRSA63J-152X | MG R | 1.5kΩ 1/16W J | | | R1627 | NRSA63J-224X | MG R | 220kΩ 1/16W J | |
| | R1141 | NRSA63J-182X | MG R | 1.8kΩ 1/16W J | | | R1628 | NRSA63J-104X | MG R | 100kΩ 1/16W J | |
| | R1142 | NRSA63J-561X | MG R | 560Ω 1/16W J | | | R1629 | NRSA63J-153X | MG R | 15kΩ 1/16W J | |
| | R1143 | NRSA63J-471X | MG R | 470Ω 1/16W J | | | R1630 | NRSA63J-273X | MG R | 27kΩ 1/16W J | |
| | R1144 | NRSA63J-220X | MG R | 22Ω 1/16W J | | | R1631 | NRSA63J-473X | MG R | 47kΩ 1/16W J | |
| | R1145 | NRSA63J-821X | MG R | 820Ω 1/16W J | | | R1632-33 | NRSA63J-103X | MG R | 10kΩ 1/16W J | |
| | R1146 | NRSA63J-103X | MG R | 10kΩ 1/16W J | | | R1650 | NRSA63J-103X | MG R | 10kΩ 1/16W J | |
| | R1147 | NRSA63J-101X | MG R | 100Ω 1/16W J | | | R1651 | NRSA63J-222X | MG R | 2.2kΩ 1/16W J | |
| | R1148 | NRSA63J-332X | MG R | 3.3kΩ 1/16W J | | | R1652 | NRSA63J-104X | MG R | 100kΩ 1/16W J | |
| | R1149 | NRSA63J-122X | MG R | 1.2kΩ 1/16W J | | | R1653 | NRSA63J-472X | MG R | 4.7kΩ 1/16W J | |
| | R1301-02 | NRSA63J-222X | MG R | 2.2kΩ 1/16W J | | | R1654 | NRSA63J-103X | MG R | 10kΩ 1/16W J | |
| | R1303 | NRSA63J-562X | MG R | 5.6kΩ 1/16W J | | | R1655 | NRSA63J-222X | MG R | 2.2kΩ 1/16W J | |
| | R1304-05 | NRSA63J-222X | MG R | 2.2kΩ 1/16W J | | | R1656-57 | NRSA63J-822X | MG R | 8.2kΩ 1/16W J | |
| | R1306 | NRSA63J-562X | MG R | 5.6kΩ 1/16W J | | | R1660 | NRSA63J-103X | MG R | 10kΩ 1/16W J | |
| | R1350-51 | NRSA63J-151X | MG R | 150Ω 1/16W J | | | R1661 | NRSA63J-683X | MG R | 68kΩ 1/16W J | |
| | R1353 | NRSA63J-151X | MG R | 150Ω 1/16W J | | | R1662 | NRSA63J-333X | MG R | 33kΩ 1/16W J | |
| | R1354 | QRE121J-182Y | C R | 1.8kΩ 1/2W J | | | R1663 | NRSA63J-103X | MG R | 10kΩ 1/16W J | |
| | R1361 | NRSA63J-0R0X | MG R | 0.0Ω 1/16W J | | | R1664 | NRSA63J-222X | MG R | 2.2kΩ 1/16W J | |
| | R1363 | QRZ0107-152Z | C R | 1.5kΩ 1/2W K | | | R1667 | NRSA63J-102X | MG R | 1kΩ 1/16W J | |
| | R1364 | QRE121J-182Y | C R | 1.8kΩ 1/2W J | | | R1688 | NRSA63J-273X | MG R | 27kΩ 1/16W J | |
| | R1365 | QRZ0107-152Z | C R | 1.5kΩ 1/2W K | | | R1690 | NRSA63J-104X | MG R | 100kΩ 1/16W J | |
| | R1367 | QRE121J-271Y | C R | 270Ω 1/2W J | | | R1691 | NRSA63J-682X | MG R | 6.8kΩ 1/16W J | |
| | R1368 | QRZ0107-152Z | C R | 1.5kΩ 1/2W K | | | R1692 | NRSA63J-104X | MG R | 100kΩ 1/16W J | |
| | R1369 | QRE121J-182Y | C R | 1.8kΩ 1/2W J | | | R1693 | NRSA63J-103X | MG R | 10kΩ 1/16W J | |
| | R1373-74 | QRE121J-124Y | C R | 120kΩ 1/2W J | | | R1694 | NRSA63J-472X | MG R | 4.7kΩ 1/16W J | |
| | R1380-83 | NRSA63J-101X | MG R | 100Ω 1/16W J | | | R1695 | NRSA63J-752X | MG R | 7.5kΩ 1/16W J | |
| | R1384 | NRSA63J-223X | MG R | 22kΩ 1/16W J | | | R1696 | NRSA63J-0R0X | MG R | 0.0Ω 1/16W J | |
| | R1401 | NRSA63J-224X | MG R | 220kΩ 1/16W J | | | R1697 | NRSA63J-103X | MG R | 10kΩ 1/16W J | |
| | R1403 | NRSA63J-0R0X | MG R | 0.0Ω 1/16W J | | | R1698-99 | NRSA63J-104X | MG R | 100kΩ 1/16W J | |
| | R1405 | NRSA63J-682X | MG R | 6.8kΩ 1/16W J | | | R1701 | NRSA63J-103X | MG R | 10kΩ 1/16W J | |
| | R1406 | NRSA63J-123X | MG R | 12kΩ 1/16W J | | | R1702-03 | NRSA63J-101X | MG R | 100Ω 1/16W J | |
| | R1408 | NRSA63J-682X | MG R | 6.8kΩ 1/16W J | | | R1704 | NRSA63J-102X | MG R | 1kΩ 1/16W J | |
| | R1410 | NRSA63J-123X | MG R | 12kΩ 1/16W J | | | R1705 | NRSA63J-103X | MG R | 10kΩ 1/16W J | |
| | R1411 | QRG01GJ-221 | OM R | 220Ω 1W J | | | R1706 | NRSA63J-102X | MG R | 1kΩ 1/16W J | |
| | R1412 | QRE121J-1R0Y | C R | 1.0Ω 1/2W J | | | R1707-10 | NRSA63J-472X | MG R | 4.7kΩ 1/16W J | |
| | R1413 | QRX01GJ-2R7 | MF R | 2.7Ω 1W J | | | R1711-14 | NRSA63J-101X | MG R | 100Ω 1/16W J | |
| | R1414 | QRE121J-8R2Y | C R | 8.2Ω 1/2W J | | | R1715-17 | NRSA63J-103X | MG R | 10kΩ 1/16W J | |
| | R1425 | NRSA63J-683X | MG R | 68kΩ 1/16W J | | | R1718-19 | NRSA63J-221X | MG R | 220Ω 1/16W J | |
| | R1480 | QRE121J-681Y | C R | 680Ω 1/2W J | | | R1720 | NRSA63J-102X | MG R | 1kΩ 1/16W J | |
| | R1481 | NRSA63J-223X | MG R | 22kΩ 1/16W J | | | R1721-24 | NRSA63J-221X | MG R | 220Ω 1/16W J | |
| | R1482 | NRSA63J-562X | MG R | 5.6kΩ 1/16W J | | | R1725 | NRSA63J-103X | MG R | 10kΩ 1/16W J | |
| | R1483 | NRSA63J-823X | MG R | 82kΩ 1/16W J | | | R1726 | NRSA63J-472X | MG R | 4.7kΩ 1/16W J | |
| | R1484-85 | NRSA63J-562X | MG R | 5.6kΩ 1/16W J | | | R1727 | NRSA63J-104X | MG R | 100kΩ 1/16W J | |
| | R1486 | NRSA63J-272X | MG R | 2.7kΩ 1/16W J | | | R1728 | NRSA63J-103X | MG R | 10kΩ 1/16W J | |

| △ Symbol No. | Part No. | Part Name | Description | Local |
|-----------------|--------------|-----------|---------------|-------|
| RESISTOR | | | | |
| R1730 | NRSA63J-223X | MG R | 22kΩ 1/16W J | |
| R1731 | NRSA63J-101X | MG R | 100Ω 1/16W J | |
| R1732 | NRSA63J-393X | MG R | 39kΩ 1/16W J | |
| R1733 | NRSA63J-273X | MG R | 27kΩ 1/16W J | |
| R1734 | NRSA63J-391X | MG R | 390Ω 1/16W J | |
| R1735 | NRSA63J-104X | MG R | 100kΩ 1/16W J | |
| R1736 | NRSA63J-333X | MG R | 33kΩ 1/16W J | |
| R1737 | NRSA63J-272X | MG R | 2.7kΩ 1/16W J | |
| R1738 | NRSA63J-103X | MG R | 10kΩ 1/16W J | |
| R1739-41 | NRSA63J-101X | MG R | 100Ω 1/16W J | |
| R1742 | NRSA63J-0R0X | MG R | 0.0Ω 1/16W J | |
| R1743 | QRE141J-102Y | C R | 1kΩ 1/4W J | |
| R1744 | NRSA63J-561X | MG R | 560Ω 1/16W J | |
| R1745 | NRSA63J-105X | MG R | 1MΩ 1/16W J | |
| R1746 | NRSA63J-333X | MG R | 33kΩ 1/16W J | |
| R1747 | NRSA63J-103X | MG R | 10kΩ 1/16W J | |
| R1748 | NRSA63J-225X | MG R | 2.2MΩ 1/16W J | |
| R1749 | NRSA02J-185X | C R | 1.8MΩ 1/16W J | |
| R1755-56 | NRSA63J-101X | MG R | 100Ω 1/16W J | |
| R1757-58 | NRSA63J-222X | MG R | 2.2kΩ 1/16W J | |
| R1760 | NRSA63J-682X | MG R | 6.8kΩ 1/16W J | |
| R1770 | QRE121J-271Y | C R | 270Ω 1/2W J | |
| R1771 | NRSA63J-102X | MG R | 1kΩ 1/16W J | |
| R1772 | QRE121J-271Y | C R | 270Ω 1/2W J | |
| R1773 | NRSA63J-102X | MG R | 1kΩ 1/16W J | |
| R1775 | NRSA63J-332X | MG R | 3.3kΩ 1/16W J | |
| R1776 | NRSA63J-392X | MG R | 3.9kΩ 1/16W J | |
| R1777 | NRSA63J-682X | MG R | 6.8kΩ 1/16W J | |
| R1779 | NRSA63J-272X | MG R | 2.7kΩ 1/16W J | |
| R1780 | NRSA63J-471X | MG R | 470Ω 1/16W J | |
| R1781 | NRSA63J-122X | MG R | 1.2kΩ 1/16W J | |
| R1782 | NRSA63J-181X | MG R | 180Ω 1/16W J | |
| R1783 | NRSA63J-221X | MG R | 220Ω 1/16W J | |
| R1784 | NRSA63J-331X | MG R | 330Ω 1/16W J | |
| R1785 | NRSA63J-471X | MG R | 470Ω 1/16W J | |
| R1803 | NRSA63J-333X | MG R | 33kΩ 1/16W J | |
| R1804-05 | NRSA63J-750X | MG R | 75Ω 1/16W J | |
| R1808 | NRSA63J-823X | MG R | 82kΩ 1/16W J | |
| R1809 | NRSA63J-391X | MG R | 390Ω 1/16W J | |
| R1810 | NRSA63J-823X | MG R | 82kΩ 1/16W J | |
| R1811 | NRSA63J-391X | MG R | 390Ω 1/16W J | |
| R1812 | NRSA63J-104X | MG R | 100kΩ 1/16W J | |
| R1813 | NRSA63J-222X | MG R | 2.2kΩ 1/16W J | |
| R1815 | NRSA63J-101X | MG R | 100Ω 1/16W J | |
| R1818 | NRSA63J-222X | MG R | 2.2kΩ 1/16W J | |
| R1820 | NRSA63J-101X | MG R | 100Ω 1/16W J | |
| R1821 | NRSA63J-222X | MG R | 2.2kΩ 1/16W J | |
| R1823 | NRSA63J-101X | MG R | 100Ω 1/16W J | |
| R1824 | NRSA63J-222X | MG R | 2.2kΩ 1/16W J | |
| R1826 | NRSA63J-101X | MG R | 100Ω 1/16W J | |
| R1829 | NRSA63J-750X | MG R | 75Ω 1/16W J | |
| R1830-31 | NRSA63J-222X | MG R | 2.2kΩ 1/16W J | |
| R1832 | NRSA63J-122X | MG R | 1.2kΩ 1/16W J | |
| R1833 | NRSA63J-102X | MG R | 1kΩ 1/16W J | |
| R1834-35 | NRSA63J-562X | MG R | 5.6kΩ 1/16W J | |
| R1836 | NRSA63J-750X | MG R | 75Ω 1/16W J | |
| R1837 | NRSA63J-101X | MG R | 100Ω 1/16W J | |
| R1838 | QRK126J-121X | C R | 120Ω 1/2W J | |
| R1839-40 | QRE121J-221Y | C R | 220Ω 1/2W J | |
| R1841-42 | NRSA63J-0R0X | MG R | 0.0Ω 1/16W J | |
| R1843 | NRSA63J-821X | MG R | 820Ω 1/16W J | |
| R1844 | NRSA63J-222X | MG R | 2.2kΩ 1/16W J | |
| R1845 | NRSA63J-102X | MG R | 1kΩ 1/16W J | |
| R1846 | NRSA63J-222X | MG R | 2.2kΩ 1/16W J | |
| R1847 | NRSA63J-103X | MG R | 10kΩ 1/16W J | |
| R1848 | NRSA63J-471X | MG R | 470Ω 1/16W J | |
| R1849 | NRSA63J-221X | MG R | 220Ω 1/16W J | |
| R1850 | NRSA63J-683X | MG R | 68kΩ 1/16W J | |
| R1851-52 | NRSA63J-104X | MG R | 100kΩ 1/16W J | |
| R1853 | NRSA63J-223X | MG R | 22kΩ 1/16W J | |
| R1854 | NRSA63J-103X | MG R | 10kΩ 1/16W J | |
| R1855 | NRSA63J-104X | MG R | 100kΩ 1/16W J | |

| △ Symbol No. | Part No. | Part Name | Description | Local |
|------------------|--------------|-----------|---------------|-------|
| RESISTOR | | | | |
| R1856 | NRSA63J-102X | MG R | 1kΩ 1/16W J | |
| R1857 | 1SS133-T2 | SI,DIODE | | |
| R1858 | NRSA63J-221X | MG R | 220Ω 1/16W J | |
| R1859 | NRSA63J-224X | MG R | 220kΩ 1/16W J | |
| R1860 | NRSA63J-563X | MG R | 56kΩ 1/16W J | |
| R1861 | NRSA63J-333X | MG R | 33kΩ 1/16W J | |
| R1862 | NRSA63J-102X | MG R | 1kΩ 1/16W J | |
| R1863-64 | NRSA63J-103X | MG R | 10kΩ 1/16W J | |
| R1865 | NRSA63J-104X | MG R | 100kΩ 1/16W J | |
| R1866 | NRSA63J-562X | MG R | 5.6kΩ 1/16W J | |
| R1867 | NRSA63J-564X | MG R | 560kΩ 1/16W J | |
| R1868 | NRSA63J-102X | MG R | 1kΩ 1/16W J | |
| R1869 | NRSA63J-392X | MG R | 3.9kΩ 1/16W J | |
| R1870 | NRSA63J-222X | MG R | 2.2kΩ 1/16W J | |
| R1873 | NRSA63J-223X | MG R | 22kΩ 1/16W J | |
| R1874 | NRSA63J-0R0X | MG R | 0.0Ω 1/16W J | |
| R1875 | NRSA63J-223X | MG R | 22kΩ 1/16W J | |
| R1876 | NRSA63J-221X | MG R | 220Ω 1/16W J | |
| R1877 | NRSA63J-0R0X | MG R | 0.0Ω 1/16W J | |
| R1880 | NRSA63J-202X | MG R | 2kΩ 1/16W J | |
| R1881 | NRSA63J-103X | MG R | 10kΩ 1/16W J | |
| R1882 | NRSA63J-471X | MG R | 470Ω 1/16W J | |
| R1883 | NRSA63J-181X | MG R | 180Ω 1/16W J | |
| R1884-85 | QRE141J-750Y | C R | 75Ω 1/4W J | |
| R1902 | QRF154K-2R2 | UNF R | 2.2Ω 15W K | |
| R1904 | QRE121J-681Y | C R | 680Ω 1/2W J | |
| R1905 | QRM034J-R15 | MP R | 0.22Ω 3W J | |
| R1906 | QRT029J-1R0 | MF R | 1.0Ω 2W J | |
| R1907 | NRSA63J-563X | MG R | 56kΩ 1/16W J | |
| R1908 | QRL039J-333 | OM R | 33kΩ 3W J | |
| R1909 | QRE121J-274Y | C R | 270kΩ 1/2W J | |
| R1910 | QRE121J-822Y | C R | 8.2kΩ 1/2W J | |
| R1911 | QRE121J-562Y | C R | 5.6kΩ 1/2W J | |
| R1912 | NRSA63J-222X | MG R | 2.2kΩ 1/16W J | |
| R1913 | QRE121J-120Y | C R | 12Ω 1/2W J | |
| △ R1915 | QRZ0111-474 | C R | 470kΩ 1/2W K | |
| R1916 | QRE121J-224Y | C R | 220kΩ 1/2W J | |
| R1952 | NRSA63J-332X | MG R | 3.3kΩ 1/16W J | |
| R1953 | NRSA63J-101X | MG R | 100Ω 1/16W J | |
| R1954 | QRE121J-560Y | C R | 56Ω 1/2W J | |
| R1955 | QRG01GJ-330 | OM R | 33Ω 1W J | |
| R1956 | QRE121J-100Y | C R | 10Ω 1/2W J | |
| R1957 | QRE121J-6R8Y | C R | 6.8Ω 1/2W J | |
| R1960 | NRSA63J-391X | MG R | 390Ω 1/16W J | |
| R1961 | QRL02EJ-223X | OM R | 22kΩ 2W J | |
| R1962 | NRSA63J-561X | MG R | 560Ω 1/16W J | |
| R1963 | QRE121J-103Y | C R | 10kΩ 1/2W J | |
| R1964 | NRSA63J-473X | MG R | 47kΩ 1/16W J | |
| R1965 | NRSA63J-0R0X | MG R | 0.0Ω 1/16W J | |
| R1966 | NRSA63J-682X | MG R | 6.8kΩ 1/16W J | |
| R1967 | NRSA63J-473X | MG R | 47kΩ 1/16W J | |
| R1970 | NRSA63J-153X | MG R | 15kΩ 1/16W J | |
| R1971 | NRSA63J-183X | MG R | 18kΩ 1/16W J | |
| △ R1991 | QRZ0057-825 | C R | 8.2MΩ 1W J | |
| CAPACITOR | | | | |
| C1001 | NCB31HK-103X | C CAP. | 0.01μF 50V K | |
| C1002 | QETN1HM-106Z | E CAP. | 10μF 50V M | |
| C1003 | QFV71HJ-104Z | MF CAP. | 0.1μF 50V J | |
| C1004 | QETN1CM-477Z | E CAP. | 470μF 16V M | |
| C1005 | NCB31HK-222X | C CAP. | 2200pF 50V K | |
| C1006 | QETN1CM-336Z | E CAP. | 33μF 16V M | |
| C1007 | NCB31HK-103X | C CAP. | 0.01μF 50V K | |
| C1101-05 | NCB31HK-472X | C CAP. | 4700pF 50V K | |
| C1106-07 | NCB31HK-103X | C CAP. | 0.01μF 50V K | |
| C1109 | QETN1HM-106Z | E CAP. | 10μF 50V M | |
| C1130-32 | NCB31HK-103X | C CAP. | 0.01μF 50V K | |
| C1133 | QETN1CM-107Z | E CAP. | 100μF 16V M | |
| C1134 | NCB31HK-103X | C CAP. | 0.01μF 50V K | |
| C1135 | QETN1EM-476Z | E CAP. | 47μF 25V M | |
| C1136-38 | NCB31HK-103X | C CAP. | 0.01μF 50V K | |
| C1140-42 | NCB31HK-103X | C CAP. | 0.01μF 50V K | |

| △ Symbol No. | Part No. | Part Name | Description | Local | △ Symbol No. | Part No. | Part Name | Description | Local |
|------------------|--------------|-----------|-------------------|-------|------------------|--------------|-----------|---------------|-------|
| CAPACITOR | | | | | CAPACITOR | | | | |
| C1143 | QETN1HM-106Z | E CAP. | 10μF 50V M | | C1706 | NCB21EK-224X | C CAP. | 0.22μF 25V K | |
| C1144 | NCB31HK-223X | C CAP. | 0.022μF 50V K | | C1707 | QETN1CM-107Z | E CAP. | 100μF 16V M | |
| C1308 | NCB31HK-103X | C CAP. | 0.01μF 50V K | | C1709 | QETN1CM-107Z | E CAP. | 100μF 16V M | |
| C1352 | QFK62EK-104Z | MM CAP. | 0.1μF 250V K | | C1710 | NCB21EK-224X | C CAP. | 0.22μF 25V K | |
| C1353 | QETN2EM-105Z | E CAP. | 1μF 250V M | | C1711 | NCB31CK-104X | C CAP. | 0.1μF 16V K | |
| C1354 | QCZ0121-102 | C CAP. | 1000pF 3000V Z | | C1713 | NCB31CK-104X | C CAP. | 0.1μF 16V K | |
| C1356 | QETN1CM-108Z | E CAP. | 1000μF 16V M | | C1714-15 | QETN1CM-476Z | E CAP. | 47μF 16V M | |
| C1357 | NDC31HJ-101X | C CAP. | 100pF 50V J | | C1720 | QETN1CM-476Z | E CAP. | 47μF 16V M | |
| C1358 | QETN1CM-477Z | E CAP. | 470μF 16V M | | C1725 | NCB31HK-681X | C CAP. | 680pF 50V K | |
| C1401 | QETN1HM-105Z | E CAP. | 1μF 50V M | | C1726 | QETN1HM-106Z | E CAP. | 10μF 50V M | |
| C1402 | QCB31HK-682Z | C CAP. | 6800pF 50V K | | C1730-31 | NCB21EK-224X | C CAP. | 0.22μF 25V K | |
| C1403 | QEHR1VM-227Z | E CAP. | 220μF 35V M | | C1732 | QETN1CM-107Z | E CAP. | 100μF 16V M | |
| C1406 | QFLC2AJ-683Z | M CAP. | 0.068μF 100V J | | C1733 | NCB31CK-104X | C CAP. | 0.1μF 16V K | |
| C1408 | QFV71HJ-184Z | MF CAP. | 0.18μF 50V J | | C1734-35 | NCB31HK-222X | C CAP. | 2200pF 50V K | |
| C1411-12 | NCF21HZ-334X | C CAP. | 0.33μF 50V Z | | C1736-37 | QETN1HM-105Z | E CAP. | 1μF 50V M | |
| C1413 | QFLC2AJ-563Z | M CAP. | 0.056μF 100V J | | C1738 | NCB31CK-104X | C CAP. | 0.1μF 16V K | |
| C1422 | QEHQ1VM-108 | E CAP. | 1000μF 35V M | | C1739 | NFV41CJ-104X | MPP CAP. | 0.1μF 16V J | |
| C1480 | QETN1HM-106Z | E CAP. | 10μF 50V M | | C1740 | QETN1HM-225Z | E CAP. | 2.2μF 50V M | |
| C1483 | QEZO195-475Z | E CAP. | 4.7μF 50V M | | C1741-42 | NCB31CK-104X | C CAP. | 0.1μF 16V K | |
| C1485 | QETN1HM-226Z | E CAP. | 22μF 50V M | | C1743 | QETN1CM-107Z | E CAP. | 100μF 16V M | |
| C1521 | QETN1VM-476Z | E CAP. | 47μF 35V M | | C1744 | NCB21HK-102X | C CAP. | 1000pF 50V K | |
| C1522 | QFLC1HJ-332Z | M CAP. | 3300pF 50V J | | C1745-47 | NCB31EK-473X | C CAP. | 0.047μF 25V K | |
| C1523 | QFLC1HJ-223Z | M CAP. | 0.022μF 50V J | | C1749 | QETN1HM-106Z | E CAP. | 10μF 50V M | |
| C1524 | QFZO196-472 | MPP CAP. | 4700pF 1.5kVH±3% | | C1751-53 | NCB31CK-104X | C CAP. | 0.1μF 16V K | |
| C1525 | QFZO200-113 | MPP CAP. | 0.011μF 1.5kVH±3% | | C1760 | NCB21EK-104X | C CAP. | 0.1μF 25V K | |
| C1526 | QFP32GJ-223 | PP CAP. | 0.022μF 400V J | | C1761 | QETN1CM-107Z | E CAP. | 100μF 16V M | |
| C1527-28 | QFZO199-184 | MPP CAP. | 0.18μF 250V J | | C1770 | QETN1HM-106Z | E CAP. | 10μF 50V M | |
| C1529 | QENC2AM-225Z | BP E CAP. | 2.2μF 100V M | | C1801-04 | QETN1HM-106Z | E CAP. | 10μF 50V M | |
| C1530 | QCB32HK-561Z | C CAP. | 560pF 500V K | | C1805 | QFLC1HJ-104Z | M CAP. | 0.1μF 50V J | |
| C1531 | QEHR1EM-108Z | E CAP. | 1000μF 25V M | | C1807-08 | NCF31AZ-105X | C CAP. | 1μF 10V Z | |
| C1533 | QEHR1EM-108Z | E CAP. | 1000μF 25V M | | C1810 | NCF31AZ-105X | C CAP. | 1μF 10V Z | |
| C1535 | QCB32HK-101Z | C CAP. | 100pF 500V K | | C1811 | QFLC1HJ-104Z | M CAP. | 0.1μF 50V J | |
| C1536 | QFLC1HJ-103Z | M CAP. | 0.01μF 50V J | | C1812 | NCF31AZ-105X | C CAP. | 1μF 10V Z | |
| C1540 | QFV71HJ-104Z | MF CAP. | 0.1μF 50V J | | C1813 | NCB31HK-103X | C CAP. | 0.01μF 50V K | |
| C1541 | QETN2EM-226Z | E CAP. | 22μF 250V M | | C1814 | QFLC1HJ-104Z | M CAP. | 0.1μF 50V J | |
| C1550 | NCB31CK-104X | C CAP. | 0.1μF 16V K | | C1815 | NCF31AZ-105X | C CAP. | 1μF 10V Z | |
| C1591 | QETN1AM-107Z | E CAP. | 100μF 10V M | | C1817 | NCF31AZ-105X | C CAP. | 1μF 10V Z | |
| C1592 | QETM2CM-227 | E CAP. | 220μF 160V M | | C1819 | QFLC1HJ-104Z | M CAP. | 0.1μF 50V J | |
| C1593 | QETN1EM-476Z | E CAP. | 47μF 25V M | | C1820-21 | NCF31AZ-105X | C CAP. | 1μF 10V Z | |
| C1625 | QETN1HM-106Z | E CAP. | 10μF 50V M | | C1822 | QETN1CM-477Z | E CAP. | 470μF 16V M | |
| C1626 | QETN1CM-107Z | E CAP. | 100μF 16V M | | C1823-24 | QETN1CM-107Z | E CAP. | 100μF 16V M | |
| C1629 | QETN1HM-475Z | E CAP. | 4.7μF 50V M | | C1825 | NCB31HK-103X | C CAP. | 0.01μF 50V K | |
| C1630 | NDC31HJ-471X | C CAP. | 470pF 50V J | | C1826 | QFLC1HJ-104Z | M CAP. | 0.1μF 50V J | |
| C1631 | NCB31EK-333X | C CAP. | 0.033μF 25V K | | C1827 | NCB31HK-103X | C CAP. | 0.01μF 50V K | |
| C1632 | NDC31HJ-471X | C CAP. | 470pF 50V J | | C1829-31 | NCB31HK-103X | C CAP. | 0.01μF 50V K | |
| C1633 | NCB31EK-333X | C CAP. | 0.033μF 25V K | | C1833 | QETN1HM-226Z | E CAP. | 22μF 50V M | |
| C1634 | QETN1HM-106Z | E CAP. | 10μF 50V M | | C1834 | NDC31HJ-181X | C CAP. | 180pF 50V J | |
| C1635-37 | QETN1HM-105Z | E CAP. | 1μF 50V M | | C1850 | QETN1HM-475Z | E CAP. | 4.7μF 50V M | |
| C1638 | NCB31EK-333X | C CAP. | 0.033μF 25V K | | C1851 | NDC31HJ-3R0X | C CAP. | 3.0pF 50V J | |
| C1639 | NDC31HJ-471X | C CAP. | 470pF 50V J | | C1852 | NCF31CZ-224X | C CAP. | 0.22μF 16V Z | |
| C1640 | QETN1HM-475Z | E CAP. | 4.7μF 50V M | | C1853-55 | QETN1HM-475Z | E CAP. | 4.7μF 50V M | |
| C1641 | QETN1CM-107Z | E CAP. | 100μF 16V M | | C1856 | QETN1HM-105Z | E CAP. | 1μF 50V M | |
| C1642 | NCB31CK-104X | C CAP. | 0.1μF 16V K | | C1857 | QETN1CM-108Z | E CAP. | 1000μF 16V M | |
| C1643 | NCB31HK-562X | C CAP. | 5600pF 50V K | | C1858-59 | QETN1HM-475Z | E CAP. | 4.7μF 50V M | |
| C1644 | QETN1HM-475Z | E CAP. | 4.7μF 50V M | | C1863 | NCB21HK-333X | C CAP. | 0.033μF 50V K | |
| C1645-46 | QETN1HM-106Z | E CAP. | 10μF 50V M | | C1864 | NCF21CZ-105X | C CAP. | 1μF 16V Z | |
| C1647 | NCB31EK-393X | C CAP. | 0.039μF 25V K | | C1867 | QETN1HM-106Z | E CAP. | 10μF 50V M | |
| C1648 | NCB31HK-223X | C CAP. | 0.022μF 50V K | | C1868 | NCB21CK-334X | C CAP. | 0.33μF 16V K | |
| C1650 | QETN1HM-106Z | E CAP. | 10μF 50V M | | C1869 | NCB21HK-333X | C CAP. | 0.033μF 50V K | |
| C1651 | QEHR1HM-107Z | E CAP. | 100μF 50V M | | C1870 | NCB21CK-334X | C CAP. | 0.33μF 16V K | |
| C1652 | QETN1HM-106Z | E CAP. | 10μF 50V M | | C1871 | QETN1CM-107Z | E CAP. | 100μF 16V M | |
| C1654 | QETM1VM-228 | E CAP. | 2200μF 35V M | | △ C1901 | QFZ9073-104 | MF CAP. | 0.1μF | |
| C1655-56 | QEHQ1VM-108 | E CAP. | 1000μF 35V M | | △ C1902 | QFZ9073-473 | MF CAP. | 0.047μF | |
| C1657 | QETN1HM-106Z | E CAP. | 10μF 50V M | | C1903-05 | QCZ9015-102Z | C CAP. | 1000pF 250V Z | |
| C1662 | QEHR1HM-106Z | E CAP. | 10μF 50V M | | △ C1906 | QFZ9073-224 | MF CAP. | 0.22μF | |
| C1665 | NCB21EK-124X | C CAP. | 0.12μF 25V K | | C1907 | QEZO199-227 | E CAP. | 220μF 400V M | |
| C1669 | NCB21EK-124X | C CAP. | 0.12μF 25V K | | C1908 | QCZ0364-222 | C CAP. | 2200pF | |
| C1681-82 | QETN1CM-227Z | E CAP. | 220μF 16V M | | C1910 | NDC21HJ-471X | C CAP. | 470pF 50V J | |
| C1683 | QETN1CM-336Z | E CAP. | 33μF 16V M | | C1911 | QEHR1EM-227Z | E CAP. | 220μF 25V M | |
| C1684 | QETN1HM-107Z | E CAP. | 100μF 50V M | | C1913 | QCZ0122-471 | C CAP. | 470pF 2000V K | |
| C1702 | QETN1HM-106Z | E CAP. | 10μF 50V M | | C1914 | QETN1EM-227Z | E CAP. | 220μF 25V M | |
| C1703-04 | NDC31HJ-220X | C CAP. | 22pF 50V J | | C1915 | QFLC1HJ-122Z | M CAP. | 1200pF 50V J | |

| △ Symbol No. | Part No. | Part Name | Description | Local |
|------------------|--------------|-----------|-------------|-------|
| CAPACITOR | | | | |
| C1952 | QCB32HK-471Z | C CAP. | 470pF 500V | K |
| C1953 | QETM1VM-108 | E CAP. | 1000µF 35V | M |
| C1954 | NCB31HK-102X | C CAP. | 1000pF 50V | K |
| C1955 | QCB32HK-471Z | C CAP. | 470pF 500V | K |
| C1956 | QETN1VM-227Z | E CAP. | 220µF 35V | M |
| C1957 | QCB32HK-471Z | C CAP. | 470pF 500V | K |
| C1958 | QEHQ1EM-108 | E CAP. | 1000µF 25V | M |
| C1959 | QCZ0364-561 | C CAP. | 560pF | |
| C1960 | QEZ0203-227 | E CAP. | 220µF 160V | M |
| C1962 | QETN1HM-106Z | E CAP. | 10µF 50V | M |
| C1963-64 | QETN1CM-476Z | E CAP. | 47µF 16V | M |
| C1968 | NCB31CK-104X | C CAP. | 0.1µF 16V | K |
| C1970 | QEHR1CM-107Z | E CAP. | 100µF 16V | M |
| C1972 | QEHR1VM-476Z | E CAP. | 47µF 35V | M |
| C1973 | QEHR1CM-107Z | E CAP. | 100µF 16V | M |
| C1974 | NCB31CK-104X | C CAP. | 0.1µF 16V | K |
| C1975 | QEHR1CM-227Z | E CAP. | 220µF 16V | M |
| C1976 | QEHR1CM-107Z | E CAP. | 100µF 16V | M |
| C1977 | QEHR1AM-477Z | E CAP. | 470µF 10V | M |
| C1978 | NCB21HK-104X | C CAP. | 0.1µF 50V | K |
| C1980 | QETN1CM-107Z | E CAP. | 100µF 16V | M |
| △ C1991-93 | QCZ9079-102 | C CAP. | 1000pF 250V | M |

TRANSFORMER

| | | |
|---------|-------------|-----------------|
| T1521 | QQR1229-001 | DRIVE TRANSF. |
| △ T1551 | QQH0097-001 | FLYBACK TRANSF. |
| △ T1901 | QQS0121-001 | SWITCH.TRANSF. |

COIL

| | | | | |
|----------|--------------|----------------|-------|---|
| L1001-02 | QQL244K-8R2Z | COIL | 8.2µH | K |
| L1101-02 | QQL244K-5R6Z | COIL | 5.6µH | K |
| L1103 | QQL244K-100Z | COIL | 10µH | K |
| L1104 | QQL244J-5R6Z | COIL | 5.6µH | J |
| L1351 | QQL03BJ-5R6Z | COIL | 5.6µH | J |
| L1480 | QQR1138-001 | CHOKE COIL | | |
| L1523 | QQR1137-005 | LINEARITY COIL | | |
| L1524 | QQLZ026-140 | HEATER CHOKE | 14µH | |
| L1701-02 | QQL244K-100Z | COIL | 10µH | K |
| L1731 | QQL244J-5R6Z | COIL | 5.6µH | J |
| L1951 | QQLZ034-460 | CHOKE COIL | 46µH | |
| L1954 | QQL244J-5R6Z | COIL | 5.6µH | J |

DIODE

| | | |
|----------|----------------|-------------|
| D1101 | DAN235K-X | SI.DIODE |
| D1351 | MA111-X | SI.DIODE |
| D1356 | MA111-X | SI.DIODE |
| D1357-59 | RGP10J-5025-T3 | SI.DIODE |
| D1360 | MA3075/M-X | ZENER DIODE |
| D1361-64 | MA111-X | SI.DIODE |
| D1401 | RGP10J-5025-T3 | SI.DIODE |
| D1402 | MTZJ75-T2 | ZENER DIODE |
| D1405 | 1N4003-T2 | SI.DIODE |
| D1408 | MA111-X | SI.DIODE |
| D1480 | MTZJ4.3A-T2 | ZENER DIODE |
| D1521 | RH3G-F1 | SI.DIODE |
| D1522 | 31DF6N-FC5 | DIODE |
| D1523 | RGP10J-5025-T3 | SI.DIODE |
| D1541 | RGP10J-5025-T3 | SI.DIODE |
| D1550 | MA111-X | SI.DIODE |
| D1551 | RGP10J-5025-T3 | SI.DIODE |
| D1553-54 | RGP10J-5025-T3 | SI.DIODE |
| D1592 | MA3075/H-X | ZENER DIODE |
| D1651-53 | MA3330/L-X | ZENER DIODE |
| D1654 | MA111-X | SI.DIODE |
| D1682 | MA111-X | SI.DIODE |
| D1702 | MA3024-X | ZENER DIODE |
| D1730-33 | MA111-X | SI.DIODE |

| △ Symbol No. | Part No. | Part Name | Description | Local |
|--------------|----------------|------------------|-------------|-------|
| DIODE | | | | |
| D1760 | SLR-342VR-T16 | L.E.D. | | |
| D1770 | MA111-X | SI.DIODE | | |
| D1771 | P1241-04 | C.D.S. | | |
| D1806-07 | MTZJ12C-T2 | ZENER DIODE | | |
| D1850 | MA3043-X | ZENER DIODE | | |
| D1851-54 | MA111-X | SI.DIODE | | |
| D1901 | GSIB460 | DIODE | | |
| D1903 | MTZJ12C-T2 | ZENER DIODE | | |
| D1904 | EG01C-T2 | SI.DIODE | | |
| D1906 | EG01C-T2 | SI.DIODE | | |
| D1907 | MA3300/M-X | CHIP ZENER DIODE | | |
| D1908 | MTZJ27B-T2 | ZENER DIODE | | |
| D1909 | MA111-X | SI.DIODE | | |
| D1910 | NRSA63J-0R0X | MG R | 0.0Ω 1/16W | J |
| D1911 | RGP10J-TS-T3 | SI.DIODE | | |
| D1912 | 1SS133-T2 | SI.DIODE | | |
| D1914 | ERC30-02L38 | SI.DIODE | | |
| D1952 | FSF05A20 | SI DIODE | | |
| D1953 | RGP10J-5025-T3 | SI.DIODE | | |
| D1954 | RK14-T3 | SI.DIODE | | |
| D1955 | 1SR35-400A-T2 | SI.DIODE | | |
| D1956 | 31DF6N-FC5 | DIODE | | |
| D1958 | MTZJ5.1A-T2 | ZENER DIODE | | |
| D1964 | MA3330/L-X | ZENER DIODE | | |
| D1965 | 1SS133-T2 | SI.DIODE | | |
| D1966 | MA3068/M-X | ZENER DIODE | | |
| D1968-69 | MA111-X | SI.DIODE | | |

TRANSISTOR

| | | |
|----------|-----------------|-----------------|
| Q1101 | 2SC5083/L-P/T | SI.TRANSISTOR |
| Q1102 | DTC124EKA-X | DIGI.TRANSISTOR |
| Q1107 | 2SA1037AK/QR/-X | SI.TRANSISTOR |
| Q1108 | 2SC2412K/QR/-X | SI.TRANSISTOR |
| Q1109 | 2SA1037AK/QR/-X | SI.TRANSISTOR |
| Q1130 | 2SA1037AK/QR/-X | SI.TRANSISTOR |
| Q1131 | DTC124EKA-X | DIGI.TRANSISTOR |
| Q1132 | 2SC2412K/QR/-X | SI.TRANSISTOR |
| Q1133 | 2SA1037AK/QR/-X | SI.TRANSISTOR |
| Q1134-35 | DTC124EKA-X | DIGI.TRANSISTOR |
| Q1136-37 | 2SC2412K/QR/-X | SI.TRANSISTOR |
| Q1301-02 | 2SA1037AK/QR/-X | SI.TRANSISTOR |
| Q1351 | 2SA1037AK/QR/-X | SI.TRANSISTOR |
| Q1353-55 | 2SC2412K/QR/-X | SI.TRANSISTOR |
| Q1480 | 2SD1408/OY/-LB | SI.TRANSISTOR |
| Q1521 | 2SC2655/Y/-T | SI.TRANSISTOR |
| Q1522 | 2SD2634-YD | SI.TRANSISTOR |
| Q1591 | 2SA1208/ST/Z1-T | SI.TRANSISTOR |
| Q1592 | DTC124EKA-X | DIGI.TRANSISTOR |
| Q1650 | DTC323TK-X | DIGI.TRANSISTOR |
| Q1651 | DTC124EKA-X | DIGI.TRANSISTOR |
| Q1660-61 | 2SC2412K/QR/-X | SI.TRANSISTOR |
| Q1683-84 | 2SA1037AK/QR/-X | SI.TRANSISTOR |
| Q1685-86 | DTC323TK-X | DIGI.TRANSISTOR |
| Q1687 | 2SC2412K/QR/-X | SI.TRANSISTOR |
| Q1688 | 2SA1037AK/QR/-X | SI.TRANSISTOR |
| Q1701-02 | 2SA1037AK/QR/-X | SI.TRANSISTOR |
| Q1703 | 2SC2412K/QR/-X | SI.TRANSISTOR |
| Q1720 | 2SA1037AK/QR/-X | SI.TRANSISTOR |
| Q1770 | 2SA1037AK/QR/-X | SI.TRANSISTOR |
| Q1801-02 | DTC323TK-X | DIGI.TRANSISTOR |
| Q1803 | 2SA1037AK/QR/-X | SI.TRANSISTOR |
| Q1804 | 2SC1740S/QR/-T | SI.TRANSISTOR |
| Q1850 | 2SK301/P/-T | F.E.T. |
| Q1851-52 | 2SC2412K/QR/-X | SI.TRANSISTOR |
| Q1860 | 2SC2412K/QR/-X | SI.TRANSISTOR |
| Q1861-62 | 2SA1037AK/QR/-X | SI.TRANSISTOR |
| Q1952-54 | 2SC2412K/QR/-X | SI.TRANSISTOR |

| △ Symbol No. | Part No. | Part Name | Description | Local | △ Symbol No. | Part No. | Part Name | Description | Local |
|---------------|-----------------|-----------------|-------------|-------|---------------|--------------|---------------|-------------|-------|
| IC | | | | | OTHERS | | | | |
| IC1130 | M52342SP | I.C(MONO-ANA) | | | △ VA1901 | QAF0052-621 | VARISTOR | | |
| IC1351 | TDA6107Q/N2 | I.C(MONO-ANA) | | | W1008 | NRSA63J-0R0X | MG R | 0.0Ω 1/16W | J |
| IC1401 | AN5522 | I.C(MONO-ANA) | | | W1010 | NRSA63J-0R0X | MG R | 0.0Ω 1/16W | J |
| IC1480 | UPC358G2-XE | I.C(MONO-ANA) | | | W1071 | NRSA63J-0R0X | MG R | 0.0Ω 1/16W | J |
| IC1602 | BH3866AS | I C | | | W1239 | NRSA63J-0R0X | MG R | 0.0Ω 1/16W | J |
| IC1650 | AN7585 | I.C(M) | | | W1257-58 | NRSA63J-0R0X | MG R | 0.0Ω 1/16W | J |
| IC1701 | TDA9386N12S0555 | I.C(MICRO-COMP) | | | W1260 | NRSA63J-0R0X | MG R | 0.0Ω 1/16W | J |
| IC1702 | AT24C08-25LS | I.C(MEMORY-OTH) | (SERVICE) | | W1298 | QQR1214-001Y | FERRITE BEADS | | |
| IC1760 | GP1U281Q | IFR DETECT UNIT | | | W1299 | NRSA63J-0R0X | MG R | 0.0Ω 1/16W | J |
| IC1801 | MM1492AF | I.C(MONO-ANA) | | | W1307 | NRSA63J-0R0X | MG R | 0.0Ω 1/16W | J |
| IC1850 | BA10324AF-XE | I.C(MONO-ANA) | | | W1309 | NRSA63J-0R0X | MG R | 0.0Ω 1/16W | J |
| IC1901 | STR-F6709A/F7 | I.C(HYBRID) | | | W1321-22 | NRSA63J-0R0X | MG R | 0.0Ω 1/16W | J |
| IC1951 | SE135N | I.C(HYBRID) | | | W1325-26 | NRSA63J-0R0X | MG R | 0.0Ω 1/16W | J |
| IC1972 | L88M33T-X | I.C(MONO-ANA) | | | W1330 | NRSA63J-0R0X | MG R | 0.0Ω 1/16W | J |
| IC1974 | BA51W12ST-V5 | I.C(MONO-ANA) | | | W1333 | NRSA63J-0R0X | MG R | 0.0Ω 1/16W | J |
| | | | | | W1375 | NRSA63J-0R0X | MG R | 0.0Ω 1/16W | J |
| OTHERS | | | | | W1379 | NRSA63J-0R0X | MG R | 0.0Ω 1/16W | J |
| | LC30114-001C-H | L.E.D.HOLDER | | | W1388 | NRSA63J-0R0X | MG R | 0.0Ω 1/16W | J |
| | CM35921-005-H | CDS HOLDER | | | W1400 | QQL244J-5R6Z | COIL | 5.6μH | J |
| CF1104 | TPS5.5MW | CERAMIC FILTER | | | W1416 | NRSA63J-0R0X | MG R | 0.0Ω 1/16W | J |
| CF1105 | TPS6.5MB | CERAMIC FILTER | | | W1418 | NRSA63J-0R0X | MG R | 0.0Ω 1/16W | J |
| CF1106 | TPSH6.0MB | CERAMIC FILTER | | | W1424 | QQR1214-001Y | FERRITE BEADS | | |
| CF1130-31 | SFE5.74MC2 | CERAMIC TRAP | | | W1427 | QRE141J-0R0Y | C R | 0.0Ω 1/4W | J |
| CF1140 | QAX0336-001 | CERAMIC FILTER | | | W1428 | NRSA63J-0R0X | MG R | 0.0Ω 1/16W | J |
| CF1141 | QAX0337-001 | CERAMIC FILTER | | | W1430 | NRSA63J-0R0X | MG R | 0.0Ω 1/16W | J |
| CF1142 | QAX0338-001 | CERAMIC FILTER | | | X1701 | QAX0688-001 | CRYSTAL | | |
| CL1001 | QZW0027-002 | WIRE CLAMP | | | Y1001 | NRSA63J-0R0X | MG R | 0.0Ω 1/16W | J |
| CL1002 | QZW0028-002 | WIRE CLAMP | | | Y1003 | NRSA63J-0R0X | MG R | 0.0Ω 1/16W | J |
| △ CP1951 | ICP-N75-Y | I.C.PROTECT | | | Y1301-02 | NRSA63J-0R0X | MG R | 0.0Ω 1/16W | J |
| △ CP1952 | ICP-N50-Y | I.C.PROTECT | | | Y1601 | NRSA63J-0R0X | MG R | 0.0Ω 1/16W | J |
| △ CP1953 | ICP-N75-Y | I.C.PROTECT | | | | | | | |
| △ F1901 | QMF51E2-4R0J4 | FUSE | | | | | | | |
| FC1901 | CEMG002-001Z | FUSE CLIP | | | | | | | |
| J1770 | QNS0155-001 | JACK | | | | | | | |
| J1771 | QNN0282-003 | PIN JACK | | | | | | | |
| J1772 | QNN0282-002 | PIN JACK | | | | | | | |
| J1773 | QNN0282-001 | PIN JACK | | | | | | | |
| J1774 | QNS0100-001 | 3.5 JACK | | | | | | | |
| J1801 | QNN0349-001 | PIN JACK | | | | | | | |
| J1802 | QNN0349-002 | PIN JACK | | | | | | | |
| J1803 | QNN0348-001 | PIN JACK | | | | | | | |
| J1804 | QNN0349-001 | PIN JACK | | | | | | | |
| K1101 | QQR1214-001Y | FERRITE BEADS | | | | | | | |
| K1103 | QQR1214-001Y | FERRITE BEADS | | | | | | | |
| K1104 | CE42050-001Z | CORE | | | | | | | |
| K1902 | CE41433-001Z | BEADS CORE | | | | | | | |
| K1951 | QQR1214-001Y | FERRITE BEADS | | | | | | | |
| K1953-55 | QQR1214-001Y | FERRITE BEADS | | | | | | | |
| △ LF1901 | QQR0673-004 | LINE FILTER | | | | | | | |
| △ LF1902 | QQR1035-002 | LINE FILTER | | | | | | | |
| △ PC1901 | PC123F2 | I.C(PH.COUPLER) | | | | | | | |
| △ RY1901 | QSK0061-001 | RELAY | | | | | | | |
| S1780 | QSW0619-003Z | PUSH SWITCH | MENU | | | | | | |
| S1781 | QSW0619-003Z | PUSH SWITCH | CH- | | | | | | |
| S1782 | QSW0619-003Z | PUSH SWITCH | CH+ | | | | | | |
| S1783 | QSW0619-003Z | PUSH SWITCH | VOL- | | | | | | |
| S1784 | QSW0619-003Z | PUSH SWITCH | VOL+ | | | | | | |
| △ S1901 | QSW0846-001 | PUSH SWITCH | POWER | | | | | | |
| SF1101 | QAX0325-001 | SAW FILTER | | | | | | | |
| SF1102 | QAX0594-001 | SAW FILTER | | | | | | | |
| SG1301-03 | QAF0006-501 | ARRESTER | | | | | | | |
| SG1304 | QAF0041-272 | ARRESTER | | | | | | | |
| △ SK1351 | CE42446-001 | C.R.T.SOCKET | | | | | | | |
| TH1901 | QAD0134-4R5 | P.THERMISTOR | | | | | | | |
| TU1001 | QAU0185-004 | TUNER | | | | | | | |

PRINTED WIRING BOARD PARTS LIST (AV-29L81B-BK)**MAIN PW BOARD ASS'Y (SCH-1045A-BK)**

| △ Symbol No. | Part No. | Part Name | Description | Local | △ Symbol No. | Part No. | Part Name | Description | Local |
|-----------------|--------------|-----------|---------------|-------|-----------------|---------------|-----------|---------------|-------|
| RESISTOR | | | | | RESISTOR | | | | |
| R1001-02 | NRSA63J-221X | MG R | 220Ω 1/16W J | | R1494 | QRL03EJ-330X | OM R | 33Ω 3W J | |
| R1003 | NRSA63J-392X | MG R | 3.9kΩ 1/16W J | | R1521 | NRSA63J-101X | MG R | 100Ω 1/16W J | |
| R1004 | NRSA63J-221X | MG R | 220Ω 1/16W J | | R1522 | NRSA63J-102X | MG R | 1kΩ 1/16W J | |
| R1006 | NRSA63J-273X | MG R | 27kΩ 1/16W J | | R1523-24 | QRL03EJ-151X | OM R | 150Ω 3W J | |
| R1101 | NRSA63J-100X | MG R | 10Ω 1/16W J | | R1526 | QRL029J-271 | OM R | 270Ω 2W J | |
| R1102 | NRSA63J-682X | MG R | 6.8kΩ 1/16W J | | R1527 | QRL03EJ-103X | OM R | 10kΩ 3W J | |
| R1103 | NRSA63J-272X | MG R | 2.7kΩ 1/16W J | | R1528-29 | QRX029J-3R3 | MF R | 3.3Ω 2W J | |
| R1104 | NRSA63J-181X | MG R | 180Ω 1/16W J | | R1531 | NRSA63J-182X | MG R | 1.8kΩ 1/16W J | |
| R1105 | NRSA63J-220X | MG R | 22Ω 1/16W J | | △ R1532 | QRZ9017-4R7 | F R | 4.7Ω 1/4W J | |
| R1106 | NRSA63J-101X | MG R | 100Ω 1/16W J | | R1541-42 | QRE121J-124Y | C R | 120kΩ 1/2W J | |
| R1107 | NRSA63J-472X | MG R | 4.7kΩ 1/16W J | | R1543 | QRE121J-471Y | C R | 470Ω 1/2W J | |
| R1108-09 | NRSA63J-222X | MG R | 2.2kΩ 1/16W J | | R1545 | QRE121J-220Y | C R | 22Ω 1/2W J | |
| R1114 | NRSA63J-821X | MG R | 820Ω 1/16W J | | R1546 | QRE121J-822Y | C R | 8.2kΩ 1/2W J | |
| R1115 | NRSA63J-181X | MG R | 180Ω 1/16W J | | R1561 | QRL02EJ-220X | OM R | 22Ω 2W J | |
| R1117 | NRSA63J-102X | MG R | 1kΩ 1/16W J | | R1562 | QRE121J-123Y | C R | 12kΩ 1/2W J | |
| R1119 | NRSA63J-102X | MG R | 1kΩ 1/16W J | | R1563 | QRZ0056-103Z | COMPR | 10kΩ 1/2W K | |
| R1120 | NRSA63J-271X | MG R | 270Ω 1/16W J | | R1591 | QRA14CF-1202Y | MF R | 12kΩ 1/4W F | |
| R1122 | QRE141J-0R0Y | C R | 0.0Ω 1/4W J | | R1592 | QRZ0221-2R2 | UNF R | 2.2Ω | |
| R1130 | NRSA63J-472X | MG R | 4.7kΩ 1/16W J | | R1593 | NRSA02F-332X | MG R | 3.3kΩ 1/10W F | |
| R1131 | NRSA63J-471X | MG R | 470Ω 1/16W J | | R1594 | QRE121J-183Y | C R | 18kΩ 1/2W J | |
| R1132 | NRSA63J-222X | MG R | 2.2kΩ 1/16W J | | R1595 | NRSA63J-222X | MG R | 2.2kΩ 1/16W J | |
| R1133 | NRSA63J-152X | MG R | 1.5kΩ 1/16W J | | R1621-22 | NRSA63J-101X | MG R | 100Ω 1/16W J | |
| R1134 | NRSA63J-182X | MG R | 1.8kΩ 1/16W J | | R1626 | NRSA63J-472X | MG R | 4.7kΩ 1/16W J | |
| R1135 | NRSA63J-561X | MG R | 560Ω 1/16W J | | R1627 | NRSA63J-224X | MG R | 220kΩ 1/16W J | |
| R1136 | NRSA63J-472X | MG R | 4.7kΩ 1/16W J | | R1628 | NRSA63J-104X | MG R | 100kΩ 1/16W J | |
| R1137 | NRSA63J-103X | MG R | 10kΩ 1/16W J | | R1629 | NRSA63J-153X | MG R | 15kΩ 1/16W J | |
| R1138 | NRSA63J-221X | MG R | 220Ω 1/16W J | | R1630 | NRSA63J-273X | MG R | 27kΩ 1/16W J | |
| R1139 | NRSA63J-222X | MG R | 2.2kΩ 1/16W J | | R1631 | NRSA63J-473X | MG R | 47kΩ 1/16W J | |
| R1140 | NRSA63J-152X | MG R | 1.5kΩ 1/16W J | | R1632-33 | NRSA63J-103X | MG R | 10kΩ 1/16W J | |
| R1141 | NRSA63J-182X | MG R | 1.8kΩ 1/16W J | | R1651 | NRSA63J-102X | MG R | 1kΩ 1/16W J | |
| R1142 | NRSA63J-561X | MG R | 560Ω 1/16W J | | R1652 | QRE141J-822Y | C R | 8.2kΩ 1/4W J | |
| R1143 | NRSA63J-471X | MG R | 470Ω 1/16W J | | R1653 | QRE141J-182Y | C R | 1.8kΩ 1/4W J | |
| R1144 | NRSA63J-220X | MG R | 22Ω 1/16W J | | R1654 | NRSA63J-182X | MG R | 1.8kΩ 1/16W J | |
| R1145 | NRSA63J-821X | MG R | 820Ω 1/16W J | | R1655 | NRSA63J-102X | MG R | 1kΩ 1/16W J | |
| R1146 | NRSA63J-103X | MG R | 10kΩ 1/16W J | | R1656 | QRE141J-822Y | C R | 8.2kΩ 1/4W J | |
| R1147 | NRSA63J-101X | MG R | 100Ω 1/16W J | | R1658-59 | QRE121J-2R2Y | C R | 2.2Ω 1/2W J | |
| R1148 | NRSA63J-332X | MG R | 3.3kΩ 1/16W J | | R1660 | NRSA63J-0R0X | MG R | 0.0Ω 1/16W J | |
| R1149 | QRE141J-122Y | C R | 1.2kΩ 1/4W J | | R1661 | NRSA63J-102X | MG R | 1kΩ 1/16W J | |
| R1301-02 | NRSA63J-222X | MG R | 2.2kΩ 1/16W J | | R1667 | NRSA63J-273X | MG R | 27kΩ 1/16W J | |
| R1303 | NRSA63J-562X | MG R | 5.6kΩ 1/16W J | | R1668 | NRSA63J-683X | MG R | 68kΩ 1/16W J | |
| R1304-05 | NRSA63J-222X | MG R | 2.2kΩ 1/16W J | | R1669 | NRSA63J-563X | MG R | 56kΩ 1/16W J | |
| R1306 | NRSA63J-562X | MG R | 5.6kΩ 1/16W J | | R1670-71 | NRSA63J-272X | MG R | 2.7kΩ 1/16W J | |
| R1307 | NRSA63J-103X | MG R | 10kΩ 1/16W J | | R1672 | NRSA63J-563X | MG R | 56kΩ 1/16W J | |
| R1308 | NRSA63J-101X | MG R | 100Ω 1/16W J | | R1673-74 | NRSA63J-683X | MG R | 68kΩ 1/16W J | |
| R1309 | NRSA63J-104X | MG R | 100kΩ 1/16W J | | R1675 | NRSA63J-273X | MG R | 27kΩ 1/16W J | |
| R1310 | NRSA63J-473X | MG R | 47kΩ 1/16W J | | R1676-77 | NRSA63J-472X | MG R | 4.7kΩ 1/16W J | |
| R1311 | NRSA63J-123X | MG R | 12kΩ 1/16W J | | R1678-79 | NRSA63J-272X | MG R | 2.7kΩ 1/16W J | |
| R1401 | NRSA63J-224X | MG R | 220kΩ 1/16W J | | R1680 | NRSA63J-683X | MG R | 68kΩ 1/16W J | |
| R1403 | NRSA63J-0R0X | MG R | 0.0Ω 1/16W J | | R1688 | NRSA63J-273X | MG R | 27kΩ 1/16W J | |
| R1405 | NRSA63J-682X | MG R | 6.8kΩ 1/16W J | | R1690 | NRSA63J-104X | MG R | 100kΩ 1/16W J | |
| R1406 | NRSA63J-472X | MG R | 4.7kΩ 1/16W J | | R1692 | NRSA63J-104X | MG R | 100kΩ 1/16W J | |
| R1408 | NRSA63J-682X | MG R | 6.8kΩ 1/16W J | | R1693 | NRSA63J-103X | MG R | 10kΩ 1/16W J | |
| R1410 | NRSA63J-472X | MG R | 4.7kΩ 1/16W J | | R1696 | NRSA63J-222X | MG R | 2.2kΩ 1/16W J | |
| R1411 | QRG01GJ-221 | OM R | 220Ω 1W J | | R1701 | NRSA63J-103X | MG R | 10kΩ 1/16W J | |
| R1412 | QRE121J-1R0Y | C R | 1.0Ω 1/2W J | | R1702-03 | NRSA63J-101X | MG R | 100Ω 1/16W J | |
| R1413 | QRX01GJ-1R2 | MF R | 1.2Ω 1W J | | R1704 | NRSA63J-102X | MG R | 1kΩ 1/16W J | |
| R1414 | QRE121J-2R7Y | C R | 2.7Ω 1/2W J | | R1705 | NRSA63J-103X | MG R | 10kΩ 1/16W J | |
| R1425 | NRSA63J-683X | MG R | 68kΩ 1/16W J | | R1706 | NRSA63J-682X | MG R | 6.8kΩ 1/16W J | |
| R1478-79 | NRSA63J-101X | MG R | 100Ω 1/16W J | | R1707-10 | NRSA63J-472X | MG R | 4.7kΩ 1/16W J | |
| R1480 | QRE121J-681Y | C R | 680Ω 1/2W J | | R1711-14 | NRSA63J-101X | MG R | 100Ω 1/16W J | |
| R1481 | NRSA63J-223X | MG R | 22kΩ 1/16W J | | R1715-17 | NRSA63J-103X | MG R | 10kΩ 1/16W J | |
| R1482 | NRSA63J-562X | MG R | 5.6kΩ 1/16W J | | R1718-19 | NRSA63J-221X | MG R | 220Ω 1/16W J | |
| R1483 | NRSA63J-823X | MG R | 82kΩ 1/16W J | | R1720 | NRSA63J-102X | MG R | 1kΩ 1/16W J | |
| R1484 | NRSA63J-562X | MG R | 5.6kΩ 1/16W J | | R1721-24 | NRSA63J-221X | MG R | 220Ω 1/16W J | |
| R1485 | NRSA63J-123X | MG R | 12kΩ 1/16W J | | R1725 | NRSA63J-103X | MG R | 10kΩ 1/16W J | |
| R1486 | NRSA63J-272X | MG R | 2.7kΩ 1/16W J | | R1726 | NRSA63J-472X | MG R | 4.7kΩ 1/16W J | |
| R1487 | NRSA63J-333X | MG R | 33kΩ 1/16W J | | R1727 | NRSA63J-104X | MG R | 100kΩ 1/16W J | |
| R1489 | NRSA63J-122X | MG R | 1.2kΩ 1/16W J | | R1728 | NRSA63J-103X | MG R | 10kΩ 1/16W J | |
| R1490 | NRSA63J-102X | MG R | 1kΩ 1/16W J | | R1730 | NRSA63J-223X | MG R | 22kΩ 1/16W J | |
| R1491 | NRSA63J-562X | MG R | 5.6kΩ 1/16W J | | R1731 | NRSA63J-101X | MG R | 100Ω 1/16W J | |
| R1492 | NRSA63J-822X | MG R | 8.2kΩ 1/16W J | | R1732 | NRSA02F-393X | MF R | 39kΩ 2W F | |
| R1493 | QRE121J-223Y | C R | 22kΩ 1/2W J | | R1733 | NRSA63J-273X | MG R | 27kΩ 1/16W J | |

| △ | Symbol No. | Part No. | Part Name | Description | Local | △ | Symbol No. | Part No. | Part Name | Description | Local |
|-----------------|------------|--------------|-----------|---------------|-------|------------------|--------------|-----------|-------------------|-------------|-------|
| RESISTOR | | | | | | RESISTOR | | | | | |
| | R1734 | NRSA63J-391X | MG R | 390Ω 1/16W J | | R1957 | QRE121J-5R6Y | C R | 5.6Ω 1/2W J | | |
| | R1735 | NRSA63J-104X | MG R | 100kΩ 1/16W J | | R1958 | QRL039J-820 | OM R | 82Ω 3W J | | |
| | R1736 | NRSA63J-333X | MG R | 33kΩ 1/16W J | | R1959 | QRE121J-820Y | C R | 82Ω 1/2W J | | |
| | R1737 | NRSA63J-272X | MG R | 2.7kΩ 1/16W J | | R1960 | NRSA63J-391X | MG R | 390Ω 1/16W J | | |
| | R1738 | NRSA63J-103X | MG R | 10kΩ 1/16W J | | R1961 | QRL02EJ-223X | OM R | 22kΩ 2W J | | |
| | R1739-41 | NRSA63J-101X | MG R | 100Ω 1/16W J | | R1963 | QRE121J-332Y | C R | 3.3kΩ 1/2W J | | |
| | R1742 | NRSA63J-0R0X | MG R | 0.0Ω 1/16W J | | R1964 | NRSA63J-103X | MG R | 10kΩ 1/16W J | | |
| | R1744 | NRSA63J-561X | MG R | 560Ω 1/16W J | | R1965 | NRSA63J-0R0X | MG R | 0.0Ω 1/16W J | | |
| | R1745 | NRSA63J-105X | MG R | 1MΩ 1/16W J | | R1966 | NRSA63J-682X | MG R | 6.8kΩ 1/16W J | | |
| | R1746 | NRSA63J-333X | MG R | 33kΩ 1/16W J | | R1967 | NRSA63J-473X | MG R | 47kΩ 1/16W J | | |
| | R1747 | NRSA63J-103X | MG R | 10kΩ 1/16W J | | R1969 | QRT02EJ-2R7X | MF R | 2.7Ω 2W J | | |
| | R1748 | QRE141J-105Y | C R | 1MΩ 1/4W J | | R1970 | NRSA63J-153X | MG R | 15kΩ 1/16W J | | |
| | R1749 | QRE141J-824Y | C R | 820kΩ 1/4W J | | R1971 | NRSA63J-183X | MG R | 18kΩ 1/16W J | | |
| | R1755-56 | NRSA63J-101X | MG R | 100Ω 1/16W J | | △ R1991 | QRZ0057-825 | C R | 8.2MΩ 1W J | | |
| | R1757-58 | NRSA63J-222X | MG R | 2.2kΩ 1/16W J | | | | | | | |
| | R1803 | NRSA63J-333X | MG R | 33kΩ 1/16W J | | CAPACITOR | | | | | |
| | R1804 | NRSA63J-750X | MG R | 75Ω 1/16W J | | C1001 | NCB31HK-103X | C CAP. | 0.01μF 50V K | | |
| | R1805-07 | QRE141J-750Y | C R | 75Ω 1/4W J | | C1002 | QETN1HM-106Z | E CAP. | 10μF 50V M | | |
| | R1808 | NRSA63J-823X | MG R | 82kΩ 1/16W J | | C1003 | QFV71HJ-104Z | MF CAP. | 0.1μF 50V J | | |
| | R1809 | NRSA63J-391X | MG R | 390Ω 1/16W J | | C1004 | QETN1CM-477Z | E CAP. | 470μF 16V M | | |
| | R1810 | NRSA63J-823X | MG R | 82kΩ 1/16W J | | C1005 | NCB31HK-222X | C CAP. | 2200pF 50V K | | |
| | R1811 | NRSA63J-391X | MG R | 390Ω 1/16W J | | C1006 | QETN1CM-336Z | E CAP. | 33μF 16V M | | |
| | R1812 | NRSA63J-104X | MG R | 100kΩ 1/16W J | | C1007 | NCB31HK-103X | C CAP. | 0.01μF 50V K | | |
| | R1813 | NRSA63J-222X | MG R | 2.2kΩ 1/16W J | | C1101-05 | NCB31HK-472X | C CAP. | 4700pF 50V K | | |
| | R1815 | NRSA63J-101X | MG R | 100Ω 1/16W J | | C1106-07 | NCB31HK-103X | C CAP. | 0.01μF 50V K | | |
| | R1818 | NRSA63J-222X | MG R | 2.2kΩ 1/16W J | | C1109 | QETN1HM-106Z | E CAP. | 10μF 50V M | | |
| | R1820 | NRSA63J-101X | MG R | 100Ω 1/16W J | | C1130-32 | NCB31HK-103X | C CAP. | 0.01μF 50V K | | |
| | R1821 | NRSA63J-222X | MG R | 2.2kΩ 1/16W J | | C1133 | QETN1CM-107Z | E CAP. | 100μF 16V M | | |
| | R1823 | NRSA63J-101X | MG R | 100Ω 1/16W J | | C1134 | NCB31HK-103X | C CAP. | 0.01μF 50V K | | |
| | R1824 | NRSA63J-222X | MG R | 2.2kΩ 1/16W J | | C1135 | QETN1EM-476Z | E CAP. | 47μF 25V M | | |
| | R1826 | NRSA63J-101X | MG R | 100Ω 1/16W J | | C1136-38 | NCB31HK-103X | C CAP. | 0.01μF 50V K | | |
| | R1830-31 | NRSA63J-222X | MG R | 2.2kΩ 1/16W J | | C1140-42 | NCB31HK-103X | C CAP. | 0.01μF 50V K | | |
| | R1832 | QRE141J-391Y | C R | 390Ω 1/4W J | | C1143 | QETN1HM-106Z | E CAP. | 10μF 50V M | | |
| | R1833 | NRSA63J-331X | MG R | 330Ω 1/16W J | | C1144 | NCB31HK-223X | C CAP. | 0.022μF 50V K | | |
| | R1834-35 | NRSA63J-562X | MG R | 5.6kΩ 1/16W J | | C1301-02 | NCB31CK-104X | C CAP. | 0.1μF 16V K | | |
| | R1836 | NRSA63J-750X | MG R | 75Ω 1/16W J | | C1304-05 | NCB31HK-103X | C CAP. | 0.01μF 50V K | | |
| | R1837 | NRSA63J-101X | MG R | 100Ω 1/16W J | | C1306 | NCB31CK-104X | C CAP. | 0.1μF 16V K | | |
| | R1838 | QRK126J-121X | C R | 120Ω 1/2W J | | C1307 | NDC31HJ-330X | C CAP. | 33pF 50V J | | |
| | R1839-40 | QRE121J-221Y | C R | 220Ω 1/2W J | | C1308 | NCB31HK-103X | C CAP. | 0.01μF 50V K | | |
| | R1841-42 | NRSA63J-0R0X | MG R | 0.0Ω 1/16W J | | C1401 | QETN1HM-105Z | E CAP. | 1μF 50V M | | |
| | R1843 | NRSA63J-821X | MG R | 820Ω 1/16W J | | C1402 | QCB31HK-682Z | C CAP. | 6800pF 50V K | | |
| | R1844 | NRSA63J-222X | MG R | 2.2kΩ 1/16W J | | C1403 | QEHR1VM-107Z | E CAP. | 100μF 35V M | | |
| | R1845 | NRSA63J-102X | MG R | 1kΩ 1/16W J | | C1411-12 | NCF21HZ-334X | C CAP. | 0.33μF 50V Z | | |
| | R1846 | NRSA63J-222X | MG R | 2.2kΩ 1/16W J | | C1413 | QFLC2AJ-563Z | M CAP. | 0.056μF 100V J | | |
| | R1847 | NRSA63J-103X | MG R | 10kΩ 1/16W J | | C1422 | QEQH1VM-108 | E CAP. | 1000μF 35V M | | |
| | R1848 | NRSA63J-221X | MG R | 220Ω 1/16W J | | C1471 | QETN1HM-106Z | E CAP. | 10μF 50V M | | |
| | R1849 | NRSA63J-471X | MG R | 470Ω 1/16W J | | C1480 | QETN1HM-106Z | E CAP. | 10μF 50V M | | |
| | R1880 | NRSA63J-202X | MG R | 2kΩ 1/16W J | | C1483 | QEZ0195-475Z | E CAP. | 4.7μF 50V M | | |
| | R1881 | NRSA63J-103X | MG R | 10kΩ 1/16W J | | C1485 | QETN1HM-226Z | E CAP. | 22μF 50V M | | |
| | R1882 | NRSA63J-181X | MG R | 180Ω 1/16W J | | C1521 | QETN1VM-476Z | E CAP. | 47μF 35V M | | |
| | R1883 | NRSA63J-471X | MG R | 470Ω 1/16W J | | C1522 | QFLC1HJ-332Z | M CAP. | 3300pF 50V J | | |
| | R1902 | QRF154K-2R2 | UNF R | 2.2Ω 15W K | | C1523 | QFLC1HJ-223Z | M CAP. | 0.022μF 50V J | | |
| | R1903 | QRL039J-473 | OM R | 47kΩ 3W J | | C1524 | QFZ0196-382 | MPP CAP. | 3800pF 1.5kVH±3% | | |
| | R1904 | QRE121J-681Y | C R | 680Ω 1/2W J | | C1525 | QFZ0200-143 | MPP CAP. | 0.014μF 1.5kVH±3% | | |
| | R1905 | QRM034J-R10 | MP R | 0.1Ω 3W J | | C1526 | QFP32JJ-223 | PP CAP. | 0.022μF 630V J | | |
| | R1908 | NRSA63J-103X | MG R | 10kΩ 1/16W J | | C1527-28 | QFZ0199-224 | MPP CAP. | 0.22μF 250V J | | |
| | R1909 | QRE121J-274Y | C R | 270kΩ 1/2W J | | C1529 | QENC2AM-225Z | BP E CAP. | 2.2μF 100V M | | |
| | R1911 | QRE121J-472Y | C R | 4.7kΩ 1/2W J | | C1530 | QCB32HK-561Z | C CAP. | 560pF 500V K | | |
| | R1912 | QRE121J-222Y | C R | 2.2kΩ 1/2W J | | C1531 | QEHR1EM-108Z | E CAP. | 1000μF 25V M | | |
| △ | R1913 | QRZ9017-4R7 | F R | 4.7Ω 1/4W J | | C1532 | QCB32HK-561Z | C CAP. | 560pF 500V K | | |
| | R1914 | QRL039J-473 | OM R | 47kΩ 3W J | | C1533 | QEHR1EM-108Z | E CAP. | 1000μF 25V M | | |
| | R1915 | QRE121J-394Y | C R | 390kΩ 1/2W J | | C1534 | QCB32HK-561Z | C CAP. | 560pF 500V K | | |
| | R1916 | QRE121J-332Y | C R | 3.3kΩ 1/2W J | | C1536 | QFLC1HJ-103Z | M CAP. | 0.01μF 50V J | | |
| | R1917 | NRSA63J-101X | MG R | 100Ω 1/16W J | | C1540 | QFV71HJ-104Z | MF CAP. | 0.1μF 50V J | | |
| | R1918 | NRSA63J-224X | MG R | 220kΩ 1/16W J | | C1541 | QETN2EM-106Z | E CAP. | 10μF 250V M | | |
| | R1919 | NRSA63J-104X | MG R | 100kΩ 1/16W J | | C1550 | NCB31CK-104X | C CAP. | 0.1μF 16V K | | |
| | R1920 | NRSA63J-473X | MG R | 47kΩ 1/16W J | | C1561 | QFV11HJ-683Z | TF CAP. | 0.068μF 50V J | | |
| | R1921 | QRE121J-563Y | C R | 56kΩ 1/2W J | | C1566 | QFZ0200-113 | MPP CAP. | 0.011μF 1.5kVH±3% | | |
| | R1951 | QRE121J-223Y | C R | 22kΩ 1/2W J | | C1591 | QETN1AM-107Z | E CAP. | 100μF 10V M | | |
| | R1952 | NRSA63J-222X | MG R | 2.2kΩ 1/16W J | | C1592 | QETM2CM-227 | E CAP. | 220μF 160V M | | |
| | R1953 | QRE121J-152Y | C R | 1.5kΩ 1/2W J | | C1593 | QETN1EM-476Z | E CAP. | 47μF 25V M | | |
| | R1955 | QRG01GJ-470 | OM R | 47Ω 1W J | | C1625 | QETN1HM-106Z | E CAP. | 10μF 50V M | | |

| △ Symbol No. | Part No. | Part Name | Description | Local |
|------------------|--------------|-----------|---------------|-------|
| CAPACITOR | | | | |
| C1626 | QETN1CM-107Z | E CAP. | 100μF 16V M | |
| C1629 | QETN1HM-475Z | E CAP. | 4.7μF 50V M | |
| C1630 | NDC31HJ-471X | C CAP. | 470pF 50V J | |
| C1631 | NCB31EK-333X | C CAP. | 0.033μF 25V K | |
| C1634 | QETN1HM-106Z | E CAP. | 10μF 50V M | |
| C1636-37 | QETN1HM-105Z | E CAP. | 1μF 50V M | |
| C1638 | NCB31EK-333X | C CAP. | 0.033μF 25V K | |
| C1639 | NDC31HJ-471X | C CAP. | 470pF 50V J | |
| C1640 | QETN1HM-475Z | E CAP. | 4.7μF 50V M | |
| C1641 | QETN1CM-107Z | E CAP. | 100μF 16V M | |
| C1642 | NCB31CK-104X | C CAP. | 0.1μF 16V K | |
| C1643 | NCB31HK-562X | C CAP. | 5600pF 50V K | |
| C1644 | QETN1HM-475Z | E CAP. | 4.7μF 50V M | |
| C1645-46 | QETN1HM-106Z | E CAP. | 10μF 50V M | |
| C1647 | NCB31EK-393X | C CAP. | 0.039μF 25V K | |
| C1648 | NCB31HK-223X | C CAP. | 0.022μF 50V K | |
| C1650 | QEHR1HM-105Z | E CAP. | 1μF 50V M | |
| C1651 | QEQ1HM-107 | E CAP. | 100μF 50V M | |
| C1652 | QEHR1HM-105Z | E CAP. | 1μF 50V M | |
| C1653-54 | QFLC1HJ-223Z | M CAP. | 0.022μF 50V J | |
| C1657-58 | QETN1HM-107Z | E CAP. | 100μF 50V M | |
| C1659-61 | NCF21HZ-224X | C CAP. | 0.22μF 50V Z | |
| C1663 | NCF21HZ-224X | C CAP. | 0.22μF 50V Z | |
| C1665 | NCB31CK-104X | C CAP. | 0.1μF 16V K | |
| C1668-69 | NCB31CK-104X | C CAP. | 0.1μF 16V K | |
| C1670 | NCB31EK-473X | C CAP. | 0.047μF 25V K | |
| C1671 | QETN1CM-476Z | E CAP. | 47μF 16V M | |
| C1672 | NCB31HK-183X | C CAP. | 0.018μF 50V K | |
| C1673 | QETN1CM-336Z | E CAP. | 33μF 16V M | |
| C1674 | NCB31CK-104X | C CAP. | 0.1μF 16V K | |
| C1675 | NCB31HK-183X | C CAP. | 0.018μF 50V K | |
| C1676 | NCB31EK-473X | C CAP. | 0.047μF 25V K | |
| C1681-82 | QETN1CM-227Z | E CAP. | 220μF 16V M | |
| C1683 | QETN1CM-336Z | E CAP. | 33μF 16V M | |
| C1684 | QETN1HM-475Z | E CAP. | 4.7μF 50V M | |
| C1685-86 | QETN1HM-105Z | E CAP. | 1μF 50V M | |
| C1702 | QETN1HM-106Z | E CAP. | 10μF 50V M | |
| C1703-04 | NDC31HJ-220X | C CAP. | 22pF 50V J | |
| C1706 | NCB21EK-224X | C CAP. | 0.22μF 25V K | |
| C1707 | QETN1CM-107Z | E CAP. | 100μF 16V M | |
| C1709 | QETN0JM-477Z | E CAP. | 470μF 6.3V M | |
| C1710 | QFV21HJ-224Z | MF CAP. | 0.22μF 50V J | |
| C1711 | NCB31CK-104X | C CAP. | 0.1μF 16V K | |
| C1712 | QETN1CM-476Z | E CAP. | 47μF 16V M | |
| C1713 | QFV11HJ-104Z | TF CAP. | 0.1μF 50V J | |
| C1715 | QETN1CM-476Z | E CAP. | 47μF 16V M | |
| C1720 | QETN1HM-476Z | E CAP. | 47μF 50V M | |
| C1725 | NCB31HK-681X | C CAP. | 680pF 50V K | |
| C1730-31 | NCB21EK-224X | C CAP. | 0.22μF 25V K | |
| C1732 | QETN1CM-107Z | E CAP. | 100μF 16V M | |
| C1733 | NCB31CK-104X | C CAP. | 0.1μF 16V K | |
| C1734-35 | NCB31HK-222X | C CAP. | 2200pF 50V K | |
| C1736-37 | QETN1HM-105Z | E CAP. | 1μF 50V M | |
| C1738 | NCB31CK-104X | C CAP. | 0.1μF 16V K | |
| C1739 | NFV41CJ-104X | MPP CAP. | 0.1μF 16V J | |
| C1740 | QETN1HM-225Z | E CAP. | 2.2μF 50V M | |
| C1741-42 | NCB31CK-104X | C CAP. | 0.1μF 16V K | |
| C1743 | QETN1AM-108Z | E CAP. | 1000μF 10V M | |
| C1744 | NCB31HK-222X | C CAP. | 2200pF 50V K | |
| C1745-47 | NCB31EK-473X | C CAP. | 0.047μF 25V K | |
| C1749 | QETN1HM-106Z | E CAP. | 10μF 50V M | |
| C1751-53 | NCB21HK-104X | C CAP. | 0.1μF 50V K | |
| C1801-04 | QETN1HM-106Z | E CAP. | 10μF 50V M | |
| C1805 | QFLC1HJ-104Z | M CAP. | 0.1μF 50V J | |
| C1807-08 | NCF31AZ-105X | C CAP. | 1μF 10V Z | |
| C1810 | NCF31AZ-105X | C CAP. | 1μF 10V Z | |
| C1811 | QFLC1HJ-104Z | M CAP. | 0.1μF 50V J | |
| C1812 | NCF31AZ-105X | C CAP. | 1μF 10V Z | |
| C1813 | NCB31HK-103X | C CAP. | 0.01μF 50V K | |
| C1814 | QFLC1HJ-104Z | M CAP. | 0.1μF 50V J | |
| C1815 | NCF31AZ-105X | C CAP. | 1μF 10V Z | |
| C1817 | NCF31AZ-105X | C CAP. | 1μF 10V Z | |

| △ Symbol No. | Part No. | Part Name | Description | Local |
|------------------|--------------|-----------|---------------|-------|
| CAPACITOR | | | | |
| C1819 | QFLC1HJ-104Z | M CAP. | 0.1μF 50V J | |
| C1820-21 | NCF31AZ-105X | C CAP. | 1μF 10V Z | |
| C1822 | QETN1AM-477Z | E CAP. | 470μF 10V M | |
| C1823-24 | QETN1CM-107Z | E CAP. | 100μF 16V M | |
| C1825 | NCB31HK-103X | C CAP. | 0.01μF 50V K | |
| C1826 | QFLC1HJ-104Z | M CAP. | 0.1μF 50V J | |
| C1827 | NCB31HK-103X | C CAP. | 0.01μF 50V K | |
| C1829-31 | NCB31HK-103X | C CAP. | 0.01μF 50V K | |
| C1833 | QETN1HM-226Z | E CAP. | 22μF 50V M | |
| C1834 | NDC31HJ-181X | C CAP. | 180pF 50V J | |
| △ C1902 | QFZ9073-104 | MF CAP. | 0.1μF | |
| △ C1903-05 | QCZ9015-102Z | C CAP. | 1000pF 250V Z | |
| C1907 | QEZ0371-337 | E CAP. | 330μF 400V M | |
| C1909 | QCZ0325-821 | C CAP. | 820pF 2000V K | |
| C1910 | NDC31HJ-471X | C CAP. | 470pF 50V J | |
| C1911 | QETN1HM-476Z | E CAP. | 47μF 50V M | |
| C1916 | QETN1EM-476Z | E CAP. | 47μF 25V M | |
| C1917 | QCB32HK-181Z | C CAP. | 180pF 500V K | |
| C1918 | QCB32HK-103 | C CAP. | 0.01μF 500V K | |
| C1919 | QCZ0325-391 | C CAP. | 390pF 2000V K | |
| C1952 | QCB32HK-471Z | C CAP. | 470pF 500V K | |
| C1953 | QEQ1HM-228 | E CAP. | 2200μF 50V M | |
| C1955 | QCB32HK-471Z | C CAP. | 470pF 500V K | |
| C1956 | QETN1VM-107Z | E CAP. | 100μF 35V M | |
| C1957 | QCB31HK-471Z | C CAP. | 470pF 50V K | |
| C1958 | QEHR1CM-108Z | E CAP. | 1000μF 16V M | |
| C1959 | QCZ0364-561 | C CAP. | 560pF | |
| C1960 | QEZ0203-227 | E CAP. | 220μF 160V M | |
| C1962 | QETN1HM-106Z | E CAP. | 10μF 50V M | |
| C1963 | QETN1CM-477Z | E CAP. | 470μF 16V M | |
| C1964 | QETN1CM-476Z | E CAP. | 47μF 16V M | |
| C1965 | QETN1VM-476Z | E CAP. | 47μF 35V M | |
| C1966 | QETN1CM-107Z | E CAP. | 100μF 16V M | |
| C1968 | NCB31CK-104X | C CAP. | 0.1μF 16V K | |
| C1970 | QETN1AM-107Z | E CAP. | 100μF 10V M | |
| C1972 | QETN1HM-476Z | E CAP. | 47μF 50V M | |
| C1974 | NCB31CK-104X | C CAP. | 0.1μF 16V K | |
| C1975 | QETN1CM-227Z | E CAP. | 220μF 16V M | |
| C1977 | QETN1EM-476Z | E CAP. | 47μF 25V M | |
| C1978 | NCB21HK-104X | C CAP. | 0.1μF 50V K | |
| C1980 | QETN1CM-107Z | E CAP. | 100μF 16V M | |
| C1981 | NCB31HK-102X | C CAP. | 1000pF 50V K | |
| C1982 | QETN1CM-476Z | E CAP. | 47μF 16V M | |
| C1983 | QETN1CM-107Z | E CAP. | 100μF 16V M | |
| △ C1991 | QCZ9079-102 | C CAP. | 1000pF 250V M | |
| △ C1992-93 | QCZ9079-471 | C CAP. | 470pF 250V K | |

TRANSFORMER

| | | |
|---------|-------------|-----------------|
| T1521 | QQR1229-001 | DRIVE TRANSF. |
| △ T1551 | QQH0096-001 | FLYBACK TRANSF. |
| T1561 | QQR1153-001 | DEF.TRANSF. |
| △ T1901 | QQS0110-001 | SWICH.TRANSF. |

COIL

| | | | | |
|----------|--------------|----------------|-------|--------|
| L1001-02 | QQL244K-8R2Z | COIL | 8.2μH | K |
| L1101 | QQL244J-5R6Z | COIL | 5.6μH | J |
| L1103 | QQL244K-100Z | COIL | 10μH | K |
| L1104 | QQL244J-5R6Z | COIL | 5.6μH | J |
| L1301 | QQL244K-221Z | PEAKING COIL | 220μH | K |
| L1401 | QQL26AK-220Z | COIL | 22μH | K |
| L1480 | QQR1138-001 | CHOKE COIL | | |
| L1523 | QQR1243-001 | LINEARITY COIL | | |
| L1541 | QQL244K-220Z | PEAKING COIL | 22μH | K |
| L1561 | QQLZ028-272 | CHOKE COIL | 2.7mH | |
| L1701-02 | QQL244K-100Z | COIL | 10μH | K |
| L1731 | QRN143J-0R0X | C R | 0.0Ω | 1/4W J |
| L1951 | QQLZ034-460 | CHOKE COIL | 46μH | |
| L1953 | QQL244J-5R6Z | COIL | 5.6μH | J |
| L1954 | QQL26AK-820Z | COIL | 82μH | K |

| △ Symbol No. | Part No. | Part Name | Description | Local | △ Symbol No. | Part No. | Part Name | Description | Local |
|-------------------|-----------------|-----------------|-------------|---------|-------------------|-----------------|------------------|-------------|---------|
| DIODE | | | | | TRANSISTOR | | | | |
| D1101 | DAN235K-X | SI.DIODE | | | Q1720 | 2SA1037AK/QR/-X | SI.TRANSISTOR | | |
| D1401 | RGP10J-5025-T3 | SI.DIODE | | | Q1801-02 | DTC323TK-X | DIGI.TRANSISTOR | | |
| D1402 | MTZJ75-T2 | ZENER DIODE | | | Q1803 | 2SA1037AK/QR/-X | SI.TRANSISTOR | | |
| D1405 | 1N4003-T2 | SI.DIODE | | | Q1804 | 2SC1740S/QR/-T | SI.TRANSISTOR | | |
| D1408 | MA111-X | SI.DIODE | | | Q1860 | 2SC2412K/QR/-X | SI.TRANSISTOR | | |
| D1480 | MTZJ4.3A-T2 | ZENER DIODE | | | Q1861-62 | 2SA1037AK/QR/-X | SI.TRANSISTOR | | |
| D1521 | RH3G-F1 | SI.DIODE | | | Q1901 | 2SC3852A | SI.TRANSISTOR | | |
| D1522 | 31DF6N-FC5 | DIODE | | | Q1902-03 | 2SA1037AK/QR/-X | SI.TRANSISTOR | | |
| D1523 | RGP10J-5025-T3 | SI.DIODE | | | Q1951 | 2SA1013/RO/-T | SI.TRANSISTOR | | |
| D1541 | RGP10J-5025-T3 | SI.DIODE | | | Q1952-54 | 2SC2412K/QR/-X | SI.TRANSISTOR | | |
| D1550 | MA111-X | SI.DIODE | | | IC | | | | |
| D1551 | EU2-T3 | SI.DIODE | | | IC1130 | M52342SP | I.C.(MONO-ANA) | | |
| D1553-54 | RGP10J-5025-T3 | SI.DIODE | | | IC1301 | TDA9181T/N1-X | I.C.(MONO-ANA) | | |
| D1592 | MA3075/H/-X | ZENER DIODE | | | IC1401 | LA78041 | I.C.(MONO-ANA) | | |
| D1652-53 | MA3330/L/-X | ZENER DIODE | | | IC1461 | JLC1562BF-X | I.C.(DIGI-MOS) | | |
| D1682 | MA111-X | SI.DIODE | | | IC1480 | UPC358G2-XE | I.C.(MONO-ANA) | | |
| D1683 | NRSA63J-0R0X | MG R | 0.0Ω | 1/16W J | IC1602 | BH3865S | I.C.(MONO-ANA) | | |
| D1702 | MA3020-X | ZENER DIODE | | | IC1650 | AN5275 | I.C.(MONO-ANA) | | |
| D1730-33 | MA111-X | SI.DIODE | | | IC1665 | BA4558F-X | I.C.(MONO-ANA) | | |
| D1801-02 | MA3120/M/-X | ZENER DIODE | | | IC1701 | TDA9386N12S0555 | I.C.(MICRO-COMP) | | |
| D1901 | GSIB460 | DIODE | | | IC1702 | AT24C08-29LS | I.C.(MEMORY-OTH) | (SERVICE) | |
| D1902 | MTZJ33B-T2 | ZENER DIODE | | | IC1801 | MM1492AF | I.C.(MONO-ANA) | | |
| D1903 | 1SS133-T2 | SI.DIODE | | | IC1901 | STR-F6456S/F7 | I.C.(HYBRID) | | |
| D1906 | MTZJ27B-T2 | ZENER DIODE | | | IC1951 | SE135N | I.C.(HYBRID) | | |
| D1907 | MTZJ33B-T2 | ZENER DIODE | | | IC1972 | L88M33T-X | I.C.(MONO-ANA) | | |
| D1908 | MA3200/M/-X | ZENER DIODE | | | IC1973 | BA17812T | I.C.(MONO-ANA) | | |
| D1909 | MA111-X | SI.DIODE | | | IC1974 | BA51W12ST-V5 | I.C.(MONO-ANA) | | |
| D1910 | MA3075/H/-X | ZENER DIODE | | | OTHERS | | | | |
| D1911-12 | RGP10J-5025-T3 | SI.DIODE | | | CF1104 | TPS5.5MW | CERAMIC FILTER | | |
| D1913 | RGP10M-5010-T3 | SI.DIODE | | | CF1105 | TPS6.5MB | CERAMIC FILTER | | |
| D1914 | 1SS133-T2 | SI.DIODE | | | CF1106 | TPSH6.0MB | CERAMIC FILTER | | |
| D1915 | MA3068/M/-X | ZENER DIODE | | | CF1130-31 | SFE5.74MC2 | CERAMIC TRAP | | |
| D1916 | MTZJ15B-T2 | ZENER DIODE | | | CF1140 | QAX0336-001 | CERAMIC FILTER | | |
| D1950 | RGP10J-5025-T3 | SI.DIODE | | | CF1141 | QAX0337-001 | CERAMIC FILTER | | |
| D1952 | FSF05A20 | SI.DIODE | | | CF1142 | QAX0338-001 | CERAMIC FILTER | | |
| D1953 | RGP10J-5025-T3 | SI.DIODE | | | △ CP1650 | ICP-N50-Y | I.C.PROTECT | | |
| D1954 | RU30A-F1 | SI.DIODE | | | △ CP1951 | ICP-N75-Y | I.C.PROTECT | | |
| D1955 | 1SR35-400A-T2 | SI.DIODE | | | △ CP1953 | ICP-N38-Y | I.C.PROTECT | | |
| D1956 | 31DF6N-FC5 | DIODE | | | J1801 | QNN0349-001 | PIN JACK | | |
| D1958 | MTZJ5.1A-T2 | ZENER DIODE | | | J1802 | QNN0349-002 | PIN JACK | | |
| D1960 | MA111-X | SI.DIODE | | | J1803 | QNN0348-001 | PIN JACK | | |
| D1964 | MA3330/L/-X | ZENER DIODE | | | J1804 | QNN0349-001 | PIN JACK | | |
| D1966 | MA3039/H/-X | ZENER DIODE | | | K1301 | CE41433-001Z | BEADS CORE | | |
| D1968-69 | MA111-X | SI.DIODE | | | K1903 | QQR1214-001Y | FERRITE BEADS | | |
| D1970 | MTZJ9.1B-T2 | ZENER DIODE | | | K1904 | CE42050-001Z | CORE | | |
| D1971 | MA111-X | SI.DIODE | | | K1952-55 | QQR1214-001Y | FERRITE BEADS | | |
| TRANSISTOR | | | | | △ LF1901 | QQR1035-002 | LINE FILTER | | |
| Q1101 | 2SC5083/L-P/-T | SI.TRANSISTOR | | | △ PC1901 | PC123F2 | I.C.(PH.COUPLER) | | |
| Q1102 | DTC124EKA-X | DIGI.TRANSISTOR | | | △ RY1901 | QSK0061-001 | RELAY | | |
| Q1107 | 2SA1037AK/QR/-X | SI.TRANSISTOR | | | SF1101 | QAX0325-001 | SAW FILTER | | |
| Q1108 | 2SC2412K/QR/-X | SI.TRANSISTOR | | | SF1102 | QAX0594-001 | SAW FILTER | | |
| Q1109 | 2SA1037AK/QR/-X | SI.TRANSISTOR | | | TH1901 | QAD0134-4R5 | P.THERMISTOR | | |
| Q1130 | 2SA1037AK/QR/-X | SI.TRANSISTOR | | | TU1001 | QAU0185-004 | TUNER | | |
| Q1131 | DTC124EKA-X | DIGI.TRANSISTOR | | | W1010 | NRSA63J-0R0X | MG R | 0.0Ω | 1/16W J |
| Q1132 | 2SC2412K/QR/-X | SI.TRANSISTOR | | | W1067 | QQR1214-001Y | FERRITE BEADS | | |
| Q1133 | 2SA1037AK/QR/-X | SI.TRANSISTOR | | | W1071 | NRSA63J-0R0X | MG R | 0.0Ω | 1/16W J |
| Q1134-35 | DTC124EKA-X | DIGI.TRANSISTOR | | | W1239 | NRSA63J-0R0X | MG R | 0.0Ω | 1/16W J |
| Q1136-37 | 2SC2412K/QR/-X | SI.TRANSISTOR | | | W1257 | NRSA63J-0R0X | MG R | 0.0Ω | 1/16W J |
| Q1301-02 | 2SA1037AK/QR/-X | SI.TRANSISTOR | | | W1260 | NRSA63J-0R0X | MG R | 0.0Ω | 1/16W J |
| Q1303 | DTC124EKA-X | DIGI.TRANSISTOR | | | W1273 | NRSA63J-0R0X | MG R | 0.0Ω | 1/16W J |
| Q1304 | 2SC2412K/QR/-X | SI.TRANSISTOR | | | W1304 | QRE121J-221Y | C R | 220Ω | 1/2W J |
| Q1304 | 2SC2412K/QR/-X | SI.TRANSISTOR | | | W1306-07 | NRSA63J-0R0X | MG R | 0.0Ω | 1/16W J |
| Q1480 | 2SD1408/OY/-LB | SI.TRANSISTOR | | | W1309 | NRSA63J-0R0X | MG R | 0.0Ω | 1/16W J |
| Q1521 | 2SC2655/Y/-T | SI.TRANSISTOR | | | W1310 | QRE121J-221Y | C R | 220Ω | 1/2W J |
| Q1522 | 2SD2634-YD | SI.TRANSISTOR | | | W1321-22 | NRSA63J-0R0X | MG R | 0.0Ω | 1/16W J |
| Q1591 | 2SA1208/ST/Z1-T | SI.TRANSISTOR | | | W1325-26 | NRSA63J-0R0X | MG R | 0.0Ω | 1/16W J |
| Q1592 | DTC124EKA-X | DIGI.TRANSISTOR | | | W1330 | NRSA63J-0R0X | MG R | 0.0Ω | 1/16W J |
| Q1683-84 | 2SA1037AK/QR/-X | SI.TRANSISTOR | | | W1333 | NRSA63J-0R0X | MG R | 0.0Ω | 1/16W J |
| Q1685-86 | DTC323TK-X | DIGI.TRANSISTOR | | | | | | | |
| Q1687 | 2SC2412K/QR/-X | SI.TRANSISTOR | | | | | | | |
| Q1701-02 | 2SA1037AK/QR/-X | SI.TRANSISTOR | | | | | | | |
| Q1703 | 2SC2412K/QR/-X | SI.TRANSISTOR | | | | | | | |

| △ Symbol No. | Part No. | Part Name | Description | Local |
|---------------|--------------|-----------|--------------|-------|
| OTHERS | | | | |
| W1339-40 | NRSA63J-0R0X | MG R | 0.0Ω 1/16W J | |
| W1347 | NRSA63J-0R0X | MG R | 0.0Ω 1/16W J | |
| W1355 | NRSA63J-0R0X | MG R | 0.0Ω 1/16W J | |
| W1366 | NRSA63J-0R0X | MG R | 0.0Ω 1/16W J | |
| W1379 | NRSA63J-0R0X | MG R | 0.0Ω 1/16W J | |
| W1386 | NRSA63J-0R0X | MG R | 0.0Ω 1/16W J | |
| W1395 | NRSA63J-0R0X | MG R | 0.0Ω 1/16W J | |
| W1397 | NRSA63J-0R0X | MG R | 0.0Ω 1/16W J | |
| W1402-03 | NRSA63J-0R0X | MG R | 0.0Ω 1/16W J | |
| W1408 | NRSA63J-0R0X | MG R | 0.0Ω 1/16W J | |
| W1415 | QRE141J-0R0Y | C R | 0.0Ω 1/4W J | |
| W1418 | NRSA63J-0R0X | MG R | 0.0Ω 1/16W J | |
| W1423 | NRSA63J-0R0X | MG R | 0.0Ω 1/16W J | |
| W1426-27 | QRE141J-0R0Y | C R | 0.0Ω 1/4W J | |
| X1701 | QAX0688-001 | CRYSTAL | | |
| Y1001 | NRSA63J-0R0X | MG R | 0.0Ω 1/16W J | |
| Y1003 | NRSA63J-0R0X | MG R | 0.0Ω 1/16W J | |
| Y1601-02 | NRSA63J-0R0X | MG R | 0.0Ω 1/16W J | |

CRT SOCKET PW BOARD ASS'Y (SCH-3001A-BK)

| △ Symbol No. | Part No. | Part Name | Description | Local |
|-----------------|--------------|-----------|---------------|-------|
| RESISTOR | | | | |
| R3101 | NRSA63J-682X | MG R | 6.8kΩ 1/16W J | |
| R3102 | NRSA63J-102X | MG R | 1kΩ 1/16W J | |
| R3103 | NRSA63J-153X | MG R | 15kΩ 1/16W J | |
| R3104 | NRSA63J-682X | MG R | 6.8kΩ 1/16W J | |
| R3105 | NRSA63J-102X | MG R | 1kΩ 1/16W J | |
| R3106 | NRSA63J-272X | MG R | 2.7kΩ 1/16W J | |
| R3107 | NRSA63J-682X | MG R | 6.8kΩ 1/16W J | |
| R3108 | NRSA63J-102X | MG R | 1kΩ 1/16W J | |
| R3109 | NRSA63J-562X | MG R | 5.6kΩ 1/16W J | |
| R3110-12 | NRSA63J-101X | MG R | 100Ω 1/16W J | |
| R3113 | NRSA63J-563X | MG R | 56kΩ 1/16W J | |
| R3125 | NRSA63J-222X | MG R | 2.2kΩ 1/16W J | |
| R3126 | QRE121J-393Y | C R | 39kΩ 1/2W J | |
| R3128 | NRSA63J-473X | MG R | 47kΩ 1/16W J | |
| R3129 | NRSA63J-223X | MG R | 22kΩ 1/16W J | |
| R3142 | NRSA63J-101X | MG R | 100Ω 1/16W J | |
| R3150 | QRZ0107-152Z | C R | 1.5kΩ 1/2W K | |
| R3152 | NRSA63J-101X | MG R | 100Ω 1/16W J | |
| R3160 | NRSA63J-101X | MG R | 100Ω 1/16W J | |
| R3166 | QRZ0107-152Z | C R | 1.5kΩ 1/2W K | |
| R3170 | QRZ0107-474Z | C R | 470kΩ 1/2W K | |
| R3171 | QRZ0107-152Z | C R | 1.5kΩ 1/2W K | |
| R3172 | NRSA63J-101X | MG R | 100Ω 1/16W J | |
| △ R3175 | QRZ9021-1R5 | F R | 1Ω 1W J | |
| R3176 | QRE121J-123Y | C R | 12kΩ 1/2W J | |
| R3211 | NRSA63J-0R0X | MG R | 0.0Ω 1/16W J | |
| R3212 | NRSA63J-153X | MG R | 15kΩ 1/16W J | |
| R3213 | NRSA63J-222X | MG R | 2.2kΩ 1/16W J | |
| R3214 | NRSA63J-152X | MG R | 1.5kΩ 1/16W J | |
| R3215 | NRSA63J-680X | MG R | 68Ω 1/16W J | |
| R3216 | NRSA63J-221X | MG R | 220Ω 1/16W J | |
| △ R3217 | QRJ146J-100X | C R | 10Ω 1/4W J | |
| R3221-22 | NRSA63J-470X | MG R | 47Ω 1/16W J | |
| R3224 | NRSA63J-122X | MG R | 1.2kΩ 1/16W J | |
| R3225-26 | QRE121J-563Y | C R | 56kΩ 1/2W J | |
| R3227 | NRSA63J-122X | MG R | 1.2kΩ 1/16W J | |
| R3228 | NRSA63J-390X | MG R | 39Ω 1/16W J | |
| R3229-30 | QRE121J-2R7Y | C R | 2.7Ω 1/2W J | |
| R3231 | NRSA63J-390X | MG R | 39Ω 1/16W J | |
| R3232 | QRE121J-121Y | C R | 120Ω 1/2W J | |

| △ Symbol No. | Part No. | Part Name | Description | Local |
|-----------------|--------------|-----------|---------------|-------|
| RESISTOR | | | | |
| R3233 | QRL029J-391 | OM R | 390Ω 2W J | |
| R3251 | NRSA63J-822X | MG R | 8.2kΩ 1/16W J | |
| R3252 | NRSA63J-222X | MG R | 2.2kΩ 1/16W J | |
| R3253 | NRSA63J-101X | MG R | 100Ω 1/16W J | |
| R3254 | NRSA63J-563X | MG R | 56kΩ 1/16W J | |
| R3255 | NRSA63J-223X | MG R | 22kΩ 1/16W J | |
| R3256 | NRSA63J-681X | MG R | 680Ω 1/16W J | |
| R3257 | NRSA63J-102X | MG R | 1kΩ 1/16W J | |
| R3258 | NRSA63J-182X | MG R | 1.8kΩ 1/16W J | |
| R3259 | NRSA63J-102X | MG R | 1kΩ 1/16W J | |
| R3260 | NRSA63J-271X | MG R | 270Ω 1/16W J | |
| R3261-63 | NRSA63J-101X | MG R | 100Ω 1/16W J | |
| R3264 | NRSA63J-222X | MG R | 2.2kΩ 1/16W J | |
| R3265 | NRSA63J-102X | MG R | 1kΩ 1/16W J | |
| R3266 | NRSA63J-103X | MG R | 10kΩ 1/16W J | |
| R3267 | NRSA63J-102X | MG R | 1kΩ 1/16W J | |
| R3268 | NRSA63J-222X | MG R | 2.2kΩ 1/16W J | |
| R3269 | NRSA63J-102X | MG R | 1kΩ 1/16W J | |
| R3270 | NRSA63J-103X | MG R | 10kΩ 1/16W J | |
| R3271 | NRSA63J-102X | MG R | 1kΩ 1/16W J | |
| R3272 | NRSA63J-222X | MG R | 2.2kΩ 1/16W J | |
| R3273 | NRSA63J-102X | MG R | 1kΩ 1/16W J | |
| R3274 | NRSA63J-103X | MG R | 10kΩ 1/16W J | |
| R3275 | NRSA63J-102X | MG R | 1kΩ 1/16W J | |

CAPACITOR

| | | | |
|----------|--------------|-----------|----------------|
| C3101 | QETN1CM-477Z | E CAP. | 470μF 16V M |
| C3102 | QFK62EK-104Z | MM CAP. | 0.1μF 250V K |
| C3107 | QETM2EM-336 | E CAP. | 33μF 250V M |
| C3109 | QCZ0131-472 | C CAP. | 4700pF 2000V K |
| C3110 | QCZ0131-222 | C CAP. | 2200pF 2000V K |
| C3121 | QETN1HM-225Z | E CAP. | 2.2μF 50V M |
| C3123 | QETN2EM-475Z | E CAP. | 4.7μF 250V M |
| C3204 | NDC31HJ-561X | C CAP. | 560pF 50V J |
| C3205 | QETN1HM-335Z | E CAP. | 3.3μF 50V M |
| C3206 | QETN1HM-106Z | E CAP. | 10μF 50V M |
| C3209 | QETN1CM-107Z | E CAP. | 100μF 16V M |
| C3211 | NDC31HJ-391X | C CAP. | 390pF 50V J |
| C3212 | QCB32HK-472Z | C CAP. | 4700pF 500V K |
| C3213 | NDC31HJ-561X | C CAP. | 560pF 50V J |
| C3214 | QETN2CM-106Z | E CAP. | 10μF 160V M |
| C3215 | QCB32HK-472Z | C CAP. | 4700pF 500V K |
| C3216 | QETN2CM-106Z | E CAP. | 10μF 160V M |
| C3217-18 | QETN1AM-107Z | E CAP. | 100μF 10V M |
| C3219 | QETN1AM-337Z | E CAP. | 330μF 10V M |
| C3251 | QENC1HM-105Z | BP E CAP. | 1μF 50V M |
| C3252 | NDC31HJ-151X | C CAP. | 150pF 50V J |
| C3253 | NDC31HJ-560X | C CAP. | 56pF 50V J |
| C3255 | NCB31HK-103X | C CAP. | 0.01μF 50V K |
| C3264-66 | QETN1AM-107Z | E CAP. | 100μF 10V M |
| C3267 | QETN1CM-227Z | E CAP. | 220μF 16V M |

COIL

| | | | |
|-------|--------------|------|---------|
| L3121 | QQL244J-5R6Z | COIL | 5.6μH J |
| L3251 | QQL244K-150Z | COIL | 15μH K |

DIODE

| | | | |
|----------|----------------|-------------|--------------|
| D3107 | MA111-X | SI.DIODE | |
| D3108 | MA3075/H/-X | ZENER DIODE | |
| D3109 | MA3051/H/-X | ZENER DIODE | |
| D3110 | MA111-X | SI.DIODE | |
| D3111 | MA3051/H/-X | ZENER DIODE | |
| D3112 | MA111-X | SI.DIODE | |
| D3113 | MA3051/H/-X | ZENER DIODE | |
| D3114 | MA111-X | SI.DIODE | |
| D3115-17 | EU01N-T2 | SI.DIODE | |
| D3121-23 | 1N4003-T2 | SI.DIODE | |
| D3124 | MA111-X | SI.DIODE | |
| D3125 | MTZJ75-T2 | ZENER DIODE | |
| D3201-02 | NRSA63J-0R0X | MG R | 0.0Ω 1/16W J |
| D3203-04 | RGP10J-5025-T3 | SI.DIODE | |

| △ Symbol No. | Part No. | Part Name | Description | Local |
|-------------------|-----------------|---------------|-------------|-------|
| TRANSISTOR | | | | |
| Q3101-06 | 2SC2412K/QR/-X | SI.TRANSISTOR | | |
| Q3121 | 2SC4212Z1/ | SI.TRANSISTOR | | |
| Q3122 | 2SA1037AK/QR/-X | SI.TRANSISTOR | | |
| Q3204-05 | 2SC1740S/QR/-T | SI.TRANSISTOR | | |
| Q3206 | 2SA933AS/QR/-T | SI.TRANSISTOR | | |
| Q3209 | 2SA1964/DE/ | SI.TRANSISTOR | | |
| Q3210 | 2SC5248/DE/ | SI.TRANSISTOR | | |
| Q3251 | 2SA1037AK/QR/-X | SI.TRANSISTOR | | |
| Q3252 | 2SC2412K/QR/-X | SI.TRANSISTOR | | |
| Q3253 | 2SA1037AK/QR/-X | SI.TRANSISTOR | | |
| Q3261-63 | 2SA1037AK/QR/-X | SI.TRANSISTOR | | |
| Q3264-66 | 2SC2412K/QR/-X | SI.TRANSISTOR | | |

IC

| | | |
|--------|-------------|---------------|
| IC3101 | TDA6107Q/N2 | I.C(MONO-ANA) |
|--------|-------------|---------------|

OTHERS

| | | | | |
|-----------|--------------|---------------|------|---------|
| DL3261-63 | CE41925-001 | DELAY LINE | | |
| △ FR3201 | QRZ9021-561 | FUSI.RESISTOR | | |
| K3201-04 | CE41492-001Z | CHOKE COIL | | |
| SG3101-03 | QAF0006-501 | ARRESTER | | |
| SG3104 | QAF0041-272 | ARRESTER | | |
| △ SK3001 | CE42670-001 | C.R.T.SOCKET | | |
| W3019 | NRSA63J-0R0X | MG R | 0.0Ω | 1/16W J |
| W3034 | NRSA63J-0R0X | MG R | 0.0Ω | 1/16W J |

FRONT CONTROL PW BOARD ASS'Y (SCH-8001A-BK)

| △ Symbol No. | Part No. | Part Name | Description | Local |
|-----------------|--------------|-----------|-------------|---------|
| RESISTOR | | | | |
| R8482 | NRSA63J-124X | MG R | 120kΩ | 1/16W J |
| R8483 | NRSA63J-683X | MG R | 68kΩ | 1/16W J |
| R8484-85 | NRSA63J-562X | MG R | 5.6kΩ | 1/16W J |
| R8486 | NRSA63J-333X | MG R | 33kΩ | 1/16W J |
| R8487 | NRSA63J-332X | MG R | 3.3kΩ | 1/16W J |
| R8488 | NRSA63J-154X | MG R | 150kΩ | 1/16W J |
| R8489 | NRSA63J-104X | MG R | 100kΩ | 1/16W J |
| R8491-92 | NRSA63J-0R0X | MG R | 0.0Ω | 1/16W J |
| R8495 | NRSA63J-152X | MG R | 1.5kΩ | 1/16W J |
| R8497 | NRSA63J-562X | MG R | 5.6kΩ | 1/16W J |
| R8499 | QRE121J-561Y | C R | 560Ω | 1/2W J |
| R8801 | NRSA63J-562X | MG R | 5.6kΩ | 1/16W J |
| R8802 | NRSA63J-392X | MG R | 3.9kΩ | 1/16W J |
| R8803 | NRSA63J-682X | MG R | 6.8kΩ | 1/16W J |
| R8805 | NRSA63J-682X | MG R | 6.8kΩ | 1/16W J |
| R8807 | NRSA63J-181X | MG R | 180Ω | 1/16W J |
| R8808 | NRSA63J-221X | MG R | 220Ω | 1/16W J |
| R8809 | NRSA63J-331X | MG R | 330Ω | 1/16W J |
| R8810 | NRSA63J-471X | MG R | 470Ω | 1/16W J |
| R8811 | NRSA63J-821X | MG R | 820Ω | 1/16W J |
| R8812 | NRSA63J-122X | MG R | 1.2kΩ | 1/16W J |
| R8813 | NRSA63J-471X | MG R | 470Ω | 1/16W J |
| R8814 | NRSA63J-750X | MG R | 75Ω | 1/16W J |
| R8815-16 | QRE121J-271Y | C R | 270Ω | 1/2W J |
| R8817-18 | NRSA63J-102X | MG R | 1kΩ | 1/16W J |
| R8826 | NRSA63J-0R0X | MG R | 0.0Ω | 1/16W J |
| R8827-28 | NRSA63J-333X | MG R | 33kΩ | 1/16W J |
| R8830-31 | NRSA63J-222X | MG R | 2.2kΩ | 1/16W J |
| △ R8901 | QRZ0111-474 | C R | 470kΩ | 1/2W K |

| △ Symbol No. | Part No. | Part Name | Description | Local |
|------------------|--------------|-----------|-------------|-------|
| CAPACITOR | | | | |
| C8481-84 | NCB21EK-224X | C CAP. | 0.22μF | 25V K |
| C8485 | QETN1EM-476Z | E CAP. | 47μF | 25V M |
| C8487 | QFLC1HJ-103Z | M CAP. | 0.01μF | 50V J |
| C8660-61 | QETN1VM-108Z | E CAP. | 1000μF | 35V M |
| C8801 | QETN1HM-106Z | E CAP. | 10μF | 50V M |
| C8802 | QETN1CM-107Z | E CAP. | 100μF | 16V M |
| C8803 | NCB31CK-104X | C CAP. | 0.1μF | 16V K |
| C8815 | QETN1CM-107Z | E CAP. | 100μF | 16V M |

| | | | | |
|---------|-------------|---------|--------|--|
| △ C8901 | QFZ9073-224 | MF CAP. | 0.22μF | |
|---------|-------------|---------|--------|--|

COIL

| | | | | |
|-------|--------------|------|------|---|
| L8401 | QQL244K-820Z | COIL | 82μH | K |
|-------|--------------|------|------|---|

DIODE

| | | |
|----------|---------------|-------------|
| D8601-02 | MA3330/L/-X | ZENER DIODE |
| D8801 | MA111-X | SI.DIODE |
| D8802 | P1241-04 | C.D.S. |
| D8803 | SLR-342VR-T16 | L.E.D. |

TRANSISTOR

| | | |
|-------|-----------------|---------------|
| Q8481 | 2SC2412K/QR/-X | SI.TRANSISTOR |
| Q8801 | 2SA1037AK/QR/-X | SI.TRANSISTOR |

IC

| | | |
|--------|----------|-----------------|
| IC8481 | LA6515 | I.C(MONO-ANA) |
| IC8801 | GP1U281Q | IFR DETECT UNIT |

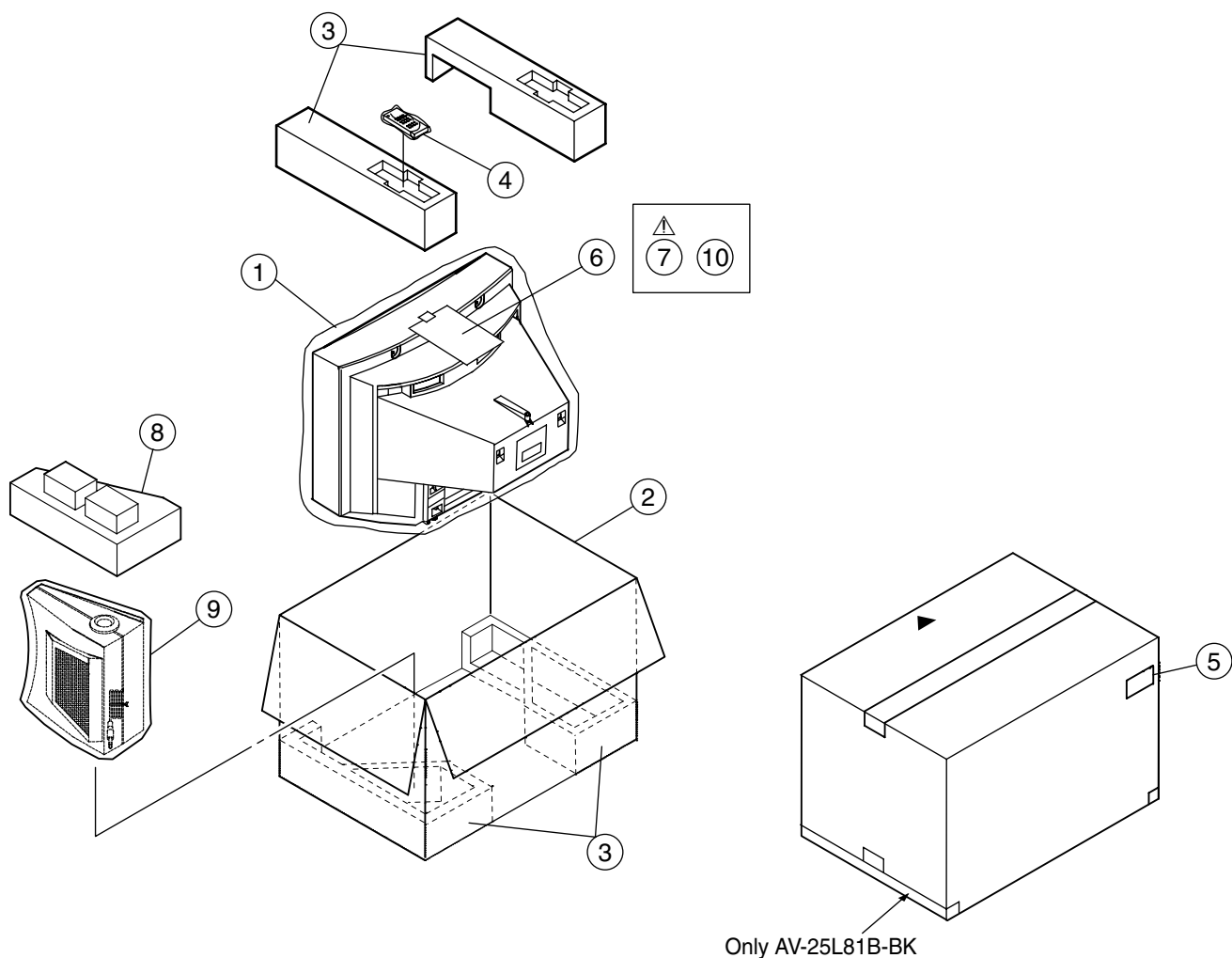
OTHERS

| | | | | |
|----------|---------------|--------------|------|----------|
| | CM35921-005-H | CDS HOLDER | | |
| | CM36626-B01-H | L.E.D.HOLDER | | |
| △ F8901 | QMF51E2-4R0J4 | FUSE | | |
| FC8901 | CEMG002-001Z | FUSE CLIP | | |
| J8302 | QNN0279-003 | PIN JACK | | |
| J8303 | QNN0279-002 | PIN JACK | | |
| J8304 | QNN0279-001 | PIN JACK | | |
| J8801 | QNS0155-001 | JACK | | |
| △ LF8901 | QQR1035-002 | LINE FILTER | | |
| S8801 | QSW0619-003Z | PUSH SWITCH | | CH+ |
| S8802 | QSW0619-003Z | PUSH SWITCH | | CH- |
| S8803 | QSW0619-003Z | PUSH SWITCH | | MENU |
| S8804 | QSW0619-003Z | PUSH SWITCH | | TV/VIDEO |
| S8805 | QSW0619-003Z | PUSH SWITCH | | VOL+ |
| S8806 | QSW0619-003Z | PUSH SWITCH | | VOL- |
| △ S8901 | QSW0750-001 | PUSH SWITCH | | POWER |
| △ VA8901 | QAF0052-621 | VARISTOR | | |
| Y8401 | NRSA63J-0R0X | MG R | 0.0Ω | 1/16W J |

AV-21L81B-BK, AV-25L81B-BK AND AV-29L81B-BK REMOTE CONTROL UNIT PARTS LIST (RM-C358-1C)

| △ Ref.No. | Part No. | Part Name | Description | Local |
|-----------|-------------|---------------|-------------|-------|
| | 31392340128 | BATTERY COVER | | |

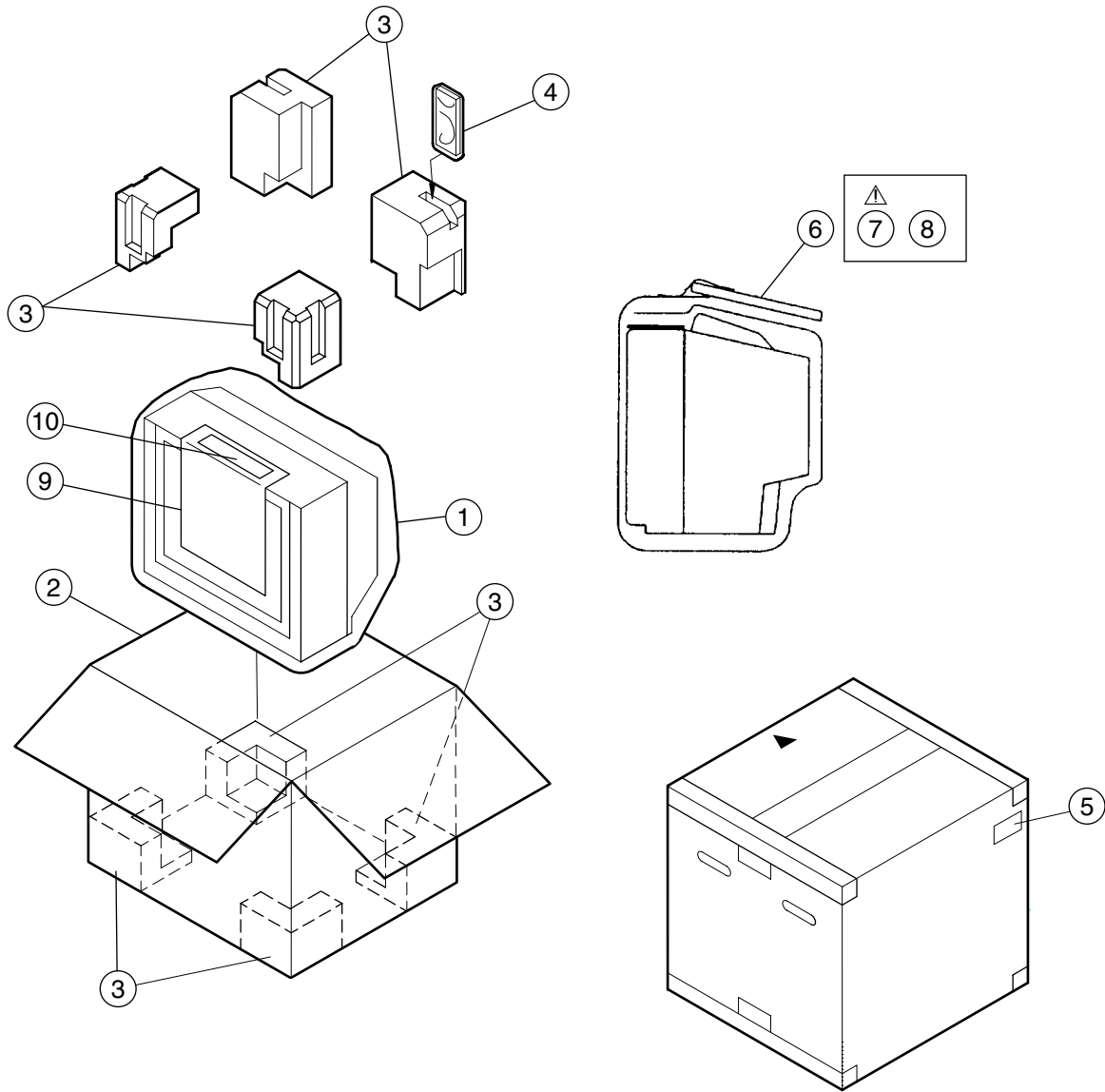
PACKING [AV-21L81B-BK, AV-25L81B-BK]



PACKING PARTS LIST [AV-21L81B-BK, AV-25L81B-BK]

| △ Ref.No. | Part No. | Part Name | Description | Local |
|-----------|----------------|------------------|----------------|-------|
| 1 | CP30697-005-H | POLY BAG | [AV-21L81B-BK] | |
| 1 | CP30697-006-H | POLY BAG | [AV-25L81B-BK] | |
| 2 | GG10045-015B-H | P CASE | [AV-21L81B-BK] | |
| 2 | GG10045-018A-H | P CASE | [AV-25L81B-BK] | |
| 3 | GG10131-001B-H | CUSHION ASSY | [AV-21L81B-BK] | |
| 3 | GG10135-001B-H | CUSHION ASSY | [AV-25L81B-BK] | |
| 4 | RM-C358-1C | RC HAND UNIT | | |
| 5 | CM47385-00B-H | SERIAL LABEL | | |
| 6 | QPA02503505 | POLY BAG | | |
| △ 7 | LCT1008-001A-H | INST BOOK | | |
| 8 | GG10142-001B-H | BASS TOP CUSHION | | |
| 9 | CP30697-004H | POLY BAG | | |
| 10 | ATEAB001-00A | MATCHING BOX | | |

PACKING [AV-29L81B-BK]



PACKING PARTS LIST [AV-29L81B-BK]

| △ Ref.No. | Part No. | Part Name | Description | Local |
|-----------|----------------|---------------|-------------|-------|
| 1 | CP30697-006-H | POLY BAG | | |
| 2 | GG10045-017A-H | P CASE | | |
| 3 | LC11066-002B-H | CUSHION ASSY | | |
| 4 | RM-C358-1C | RC HAND UNIT | | |
| 5 | CM47385-00B-H | SERIAL LABEL | | |
| 6 | QPA02503505 | POLY BAG | | |
| △ 7 | LCT1008-001A-H | INST BOOK | | |
| 8 | ATEAB001-00A | MATCHING BOX | | |
| 9 | LC30946-001A-H | CRT PROTECTOR | | |
| 10 | LC30947-002A-H | CAUTION SHEET | | |